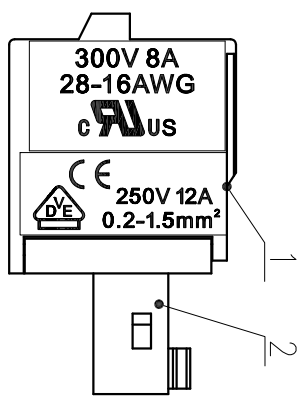
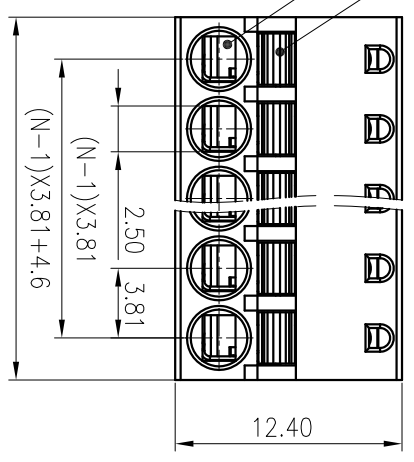
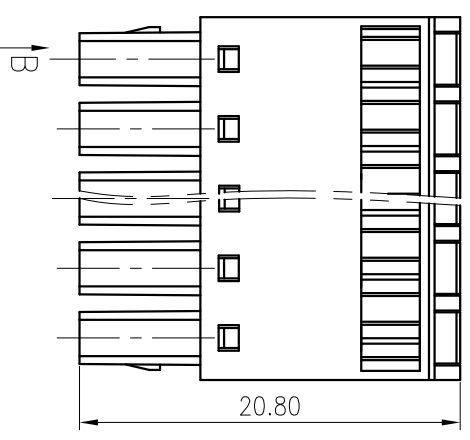


2-6P with card point  
7-24P without card point



标注公差/General tolerance(mm)

0	>3	>6	>10	>18	>30	>50	>80	>120	>180	>250	>315	>400	0.1/1.0
~	~	~	~	~	~	~	~	~	~	~	~	~	~
3	6	10	18	30	50	80	120	180	250	315	400	500	~
±0.12 ±0.18 ±0.22 ±0.26 ±0.31 ±0.37 ±0.57 ±0.80 ±0.93 ±1.05 ±1.15 ±1.60 ±2.20 ±2.50													
±2'													



5	Spring	Stainless steel
4	Clamp	Copper alloy
3	Button	POM
2	Cover	PA66
1	Housing	PA66

UL 标准/UL Standard: B C D

额定电压/电流/Rated Voltage(V)/Current(A) 300/8 300/8 300/8

EC 标准/IEC Standard: III/3 III/2 II/3

过压类别/Overvoltage Category/污染等 III/3 III/2 II/3

线/Pollution Degree

额定电压/电流/Rated Voltage(V)/Current(A) / / /

额定脉冲电压(KV)/Rate Impulse Voltage(KV) / / /

线径范围(硬线和软线)/Wire Range(rigid and flexible)(mm²/AWG) 0.2~1.5/28~16

间距/Pitch(mm)/线数范围/Poles 3.81/N=02~24P

剥线长度/Stripping length(mm) 9

使用温度范围/Operating temperature(°C) -40~+105

符合RoHS环保要求/Conform to RoHS Yes

SURFACE:

MATERIAL: 宁波高松电子有限公司  
NINGBO DEGSON ELECTRICAL CO., LTD

MAT NO.: /  
STATUS: /  
APPD: LiGL 2020.06.17  
CHKD: MaEK 2020.06.17  
DRFT: ZhuWM 2007.05.31

NAME: 15EDGKD-3.81-XXP-1Y-00A(H)

DRAWING NO.: 15EDGKD-3.81-E01  
TYPE: CUSTOMER DRAWING  
SCALE: 2.5:1 SHEET 1/1

REV	EON	DESCRIPTION	DRFT	DATE	SIZE: A4	SCALE: 2.5:1	SHEET 1/1
-----	-----	-------------	------	------	----------	--------------	-----------