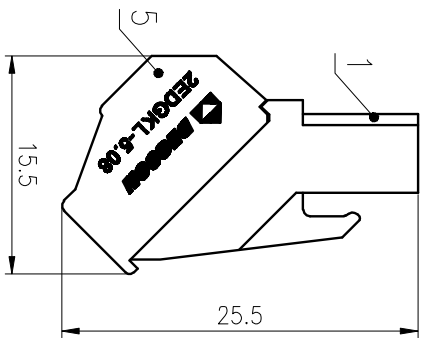
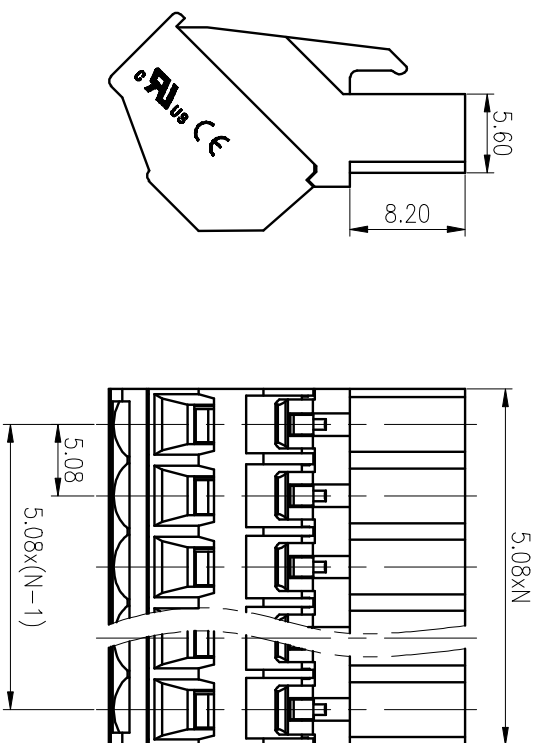
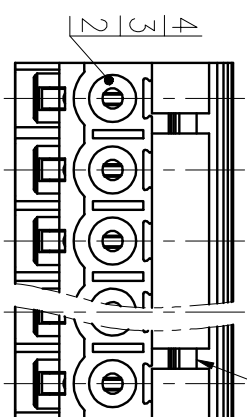


公差等级/General Tolerances(mm)		公差等级/General Tolerances(mm)										公差等级/General Tolerances(mm)
0	1	2	3	4	5	6	7	8	9	10	11	12
0	>3	>6	>10	>18	>30	>50	>80	>120	>180	>280	>315	>400
1	~3	~6	~10	~18	~30	~50	~80	~120	~180	~280	~315	~400
2	~3	~6	~10	~18	~30	~50	~80	~120	~180	~280	~315	~400
3	~3	~6	~10	~18	~30	~50	~80	~120	~180	~280	~315	~400
4	~3	~6	~10	~18	~30	~50	~80	~120	~180	~280	~315	~400
5	~3	~6	~10	~18	~30	~50	~80	~120	~180	~280	~315	~400
6	~3	~6	~10	~18	~30	~50	~80	~120	~180	~280	~315	~400
7	~3	~6	~10	~18	~30	~50	~80	~120	~180	~280	~315	~400
8	~3	~6	~10	~18	~30	~50	~80	~120	~180	~280	~315	~400
9	~3	~6	~10	~18	~30	~50	~80	~120	~180	~280	~315	~400
10	~3	~6	~10	~18	~30	~50	~80	~120	~180	~280	~315	~400
11	~3	~6	~10	~18	~30	~50	~80	~120	~180	~280	~315	~400
12	~3	~6	~10	~18	~30	~50	~80	~120	~180	~280	~315	~400
±0.12	±0.18	±0.22	±0.26	±0.31	±0.37	±0.57	±0.80	±0.93	±1.05	±1.15	±1.60	±2.20
±Z	±Z	±Z	±Z	±Z	±Z	±Z	±Z	±Z	±Z	±Z	±Z	±Z

02P:Clasp on the right from this view



REV	ECN	DESCRIPTION	DRAFT	DATE	SIZE: A4	TYPE: CUSTOMER DRAWING	SCALE: 2:1	SHEET 1/1
<p>MATERIAL: /</p> <p>SURFACE: /</p> <p>MAT NO.: /</p> <p>STATUS: /</p> <p>APPD: LanQH 2020.06.06</p> <p>CHKD: GongYh 2020.06.06</p> <p>DRT: LY 2020.06.06</p> <p>DRAWING NO.: 10002075</p> <p>NAME: DEGSON® NINGBO DEGSON ELECTRICAL CO., LTD</p> <p>2EDGKL-5.08-XXP-1Y-00A(H)</p>								
<p>UL 标准/UL Standard: B 300/10 C 300/10 D 300/10</p> <p>额定电压/电涌/Rated Voltage(V)/Current(A)</p> <p>IEC 标准/IEC Standard: III/3 III/2 II/2</p> <p>过压类别/Overvoltage Category/污染等级/Pollution Degree</p> <p>额定电压/电涌/Rated Voltage(V)/Current(A) III/3 III/2 II/2</p> <p>额定电涌电压(kV)/Rate Impulse Voltage(kV) / 320/20 /</p> <p>额定扭矩/螺栓预紧力/Torque Tightening(N·m/Lb·in) M2.5, 0.4</p> <p>挠性范围(硬线和软线)/Wire Range(rigid and flexible)(mm²/AWG) 2.5/24~12</p> <p>间距/Pitch(mm)/线数范围/Poles 5.08/N=2~22P</p> <p>剥线长度/Stripping length(mm) 9~10</p> <p>使用温度范围/Operating temperature(°C) -40~+105</p> <p>符合RoHS标准/Conform to RoHS Yes</p>								

1 2 3 4 5 6