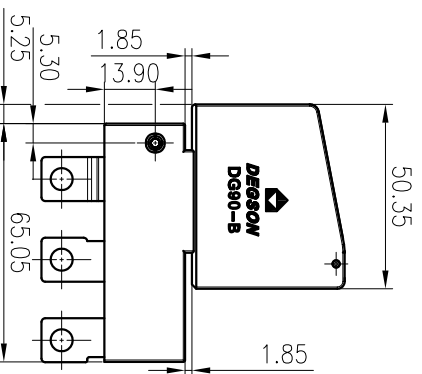
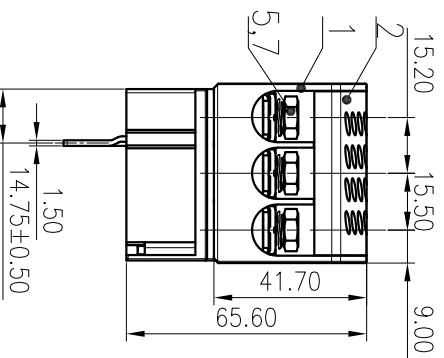
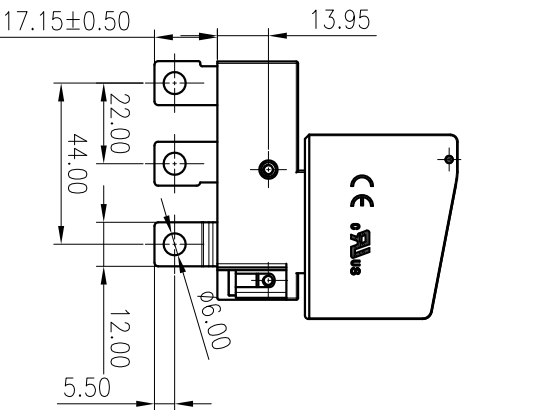
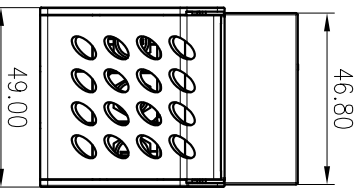
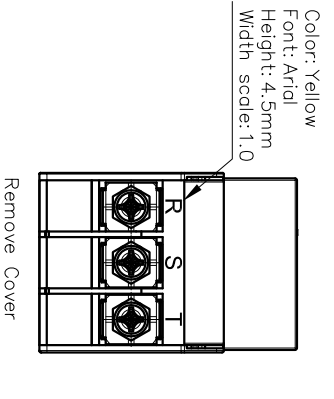


Pitch	Range In mm		Nominal Dimension Range In mm						-	
	Over	Over	Over	Over	Over	Over	Over	150	0.1/10	
	6	10	10	30	60	100	150			
T0	10	10	T0	T0	T0	100	150		≤	
6	10	24	T0	30	60	100	150		±2°	
	±0.15	±0.20	±0.30	±0.30	±0.50	±0.70	±1.00	±1.30	±2°	



ITEM	NAME OF PART	MATERIAL	NOTES
10	Current carrier3	Copper	Ni Plated
9	Current carrier2	Copper	Ni Plated
8	Current carrier1	Copper	Ni Plated
7	Screw	Steel	Ni Plated
6	Nut 2	Steel	Zn Plated
5	Nut 1	Steel	Ni Plated
4	Column	PBT	UL94V-0
3	Cover 2	PBT	UL94V-0
2	Cover 1	PC	UL94V-2
1	Housing	PBT	UL94V-0

UL Standard:			
	B	C	D
额定电压/电流/Rated Voltage(V)/Current(A)	600/65(4M6)	600/65(4M6)	600/75
额定电压/电流/Rated Voltage(V)/Current(A)	600/90(4M6)	600/90(4M6)	600/75
拧紧扭矩/Torque Tightening(N·m/Lb.in)	M6, 3.5/31.00	M6, 3.5/31.00	M6, 3.5/31.00
线径范围(导线)/Wire Range(flexible)(AWG)	22~6AWG	22~6AWG	22~6AWG
可距/Pitch(mm)/线数范围/Poles	4AWG (str) 0T cold-pressed end with insulating layer	15.5/03P	21
剥线长度/Stripping length(mm)	15.5/03P	15.5/03P	21
使用温度范围/Operating temperature(°C)	-30~+120	-30~+120	-30~+120
符合RoHS环保要求/Conform to RoHS	Yes	Yes	Yes

MATERIAL:	SURFACE: /
-----------	------------

NAME:	DEGSON <sup>®</sup> NINGBO DEGSON ELECTRICAL CO., LTD
STATUS:	
APPD:	
CHKD:	

DRAWING NO.:	DG90-B-C01
TYPE:	CUSTOMER DRAWING
SCALE:	1:2
REV	T0
SHEET	1/1

REV	ECN	DESCRIPTION	DRFT	DATE

D

C

B

A

D

C

B

A

1 2 3 4 5 6

1 2 3 4 5 6

1 2 3 4 5 6

1 2 3 4 5 6

1 2 3 4 5 6