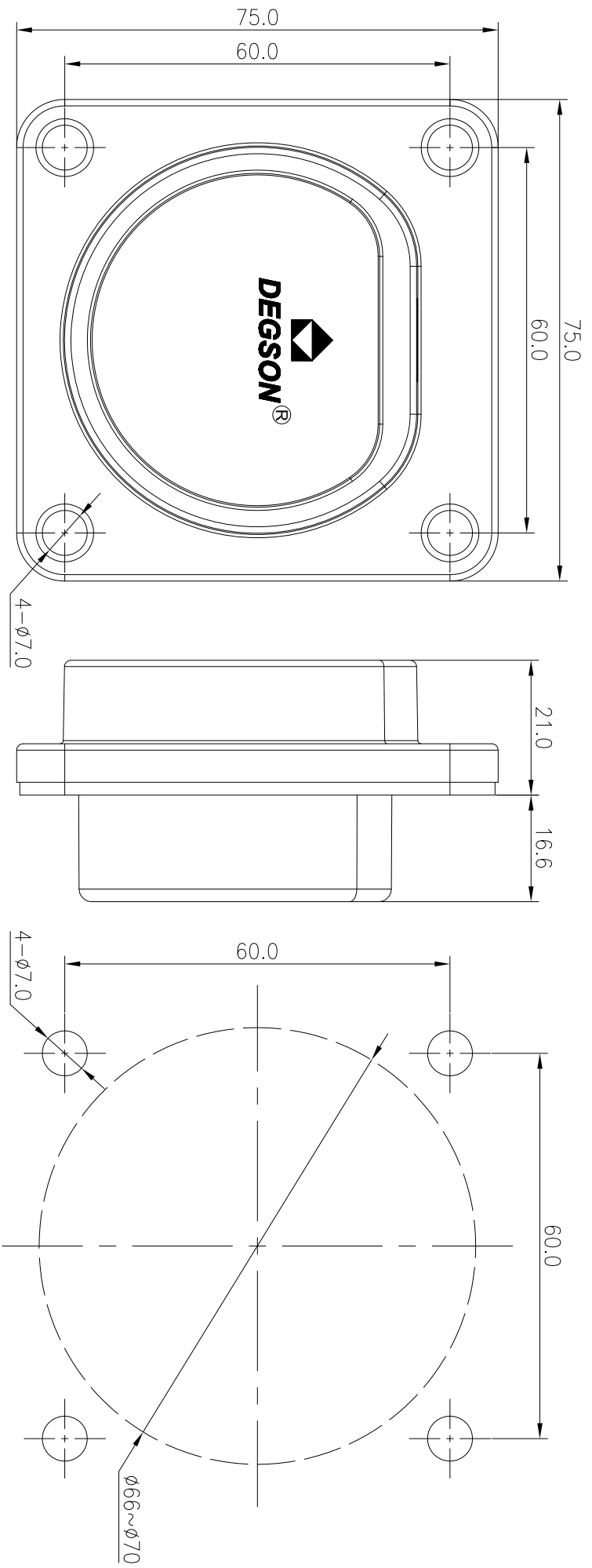


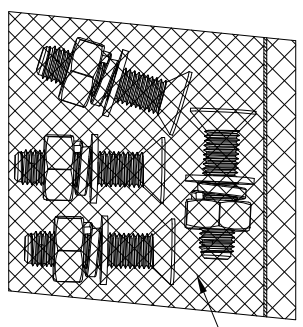


The product comply with the the latest national standard GB/T20234.1、2-2015 “Electric Vehicle Charging Connection device”

REVISION RECORD				
REV	ECN	DESCRIPTION	DRFT	DATE



The mounting screws are individually packaged (Countersunk head screw)



FGAC-03-00A(H)
Block

Installation surface aperture requirements

Performance Parameter

Operating Emperature	-30℃ ~ +50℃
----------------------	-------------

Reference Standard GB/T 20234.1、2-2015

Customer Drawing

线性尺寸范围 .XX	.X
≤6	±0.05 ±0.10
6~30	±0.10 ±0.20
30~120	±0.15 ±0.30
120~400	±0.20 ±0.50
400~1000	±0.30 ±0.80
1000~2000	±0.50 ±1.20

角度尺寸范围 .XX .X
±0.5° ±1.0°

DETACHED LISTS	
PART NO.:	/
NAME:	DEGSON® NINGBO DEGSON ELECTRICAL CO., LTD 宁波高松电子有限公司
APPD:	GB AC Vehicle Empty Seat
CHKD:	FGAC-03-00A(H)
DRFT:	LHW 08/16/18"
TITLE:	CUSTOMER DRAWING
DRAWING NO.:	FGAC-C01
DRFT:	DO NOT SCALE DRAWING
SCALE:	1:1

A B C D E F G H