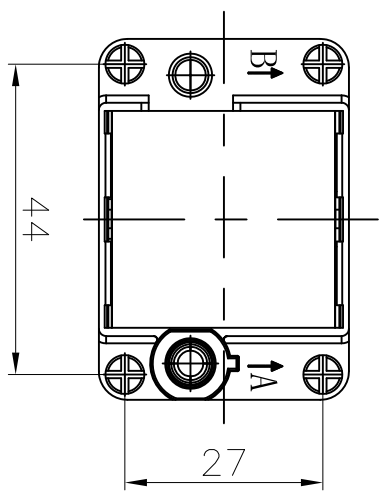
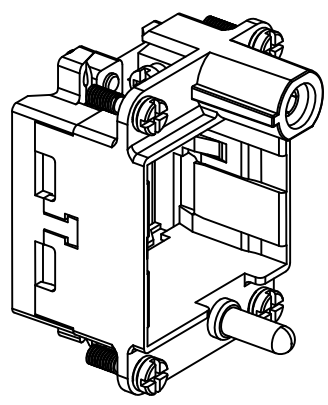
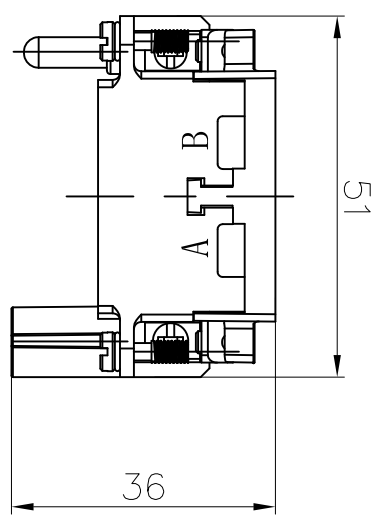
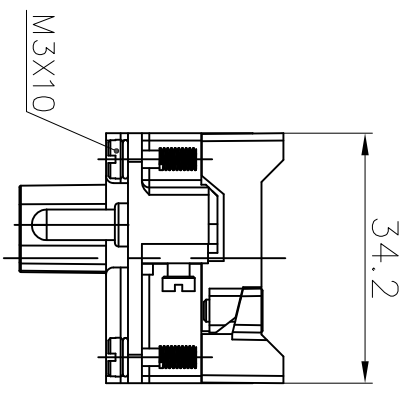


REVISION RECORD				
REV	ECN	DESCRIPTION	DRFT	DATE



- Modular
1. Material: Zinc die-cast
  2. Marking: A-B
  3. Number for modules: 2 modules
  4. Power side: 4~10mm<sup>2</sup>
  5. AWG: 12-8
  6. Signal side: 1~2.5mm<sup>2</sup>
  7. AWG: 18-14
  8. Rohs Compliance

DETACHED LISTS			
PART NO.:	/	NAME:	<b>DEGSON</b> ® NINGBO DEGSON ELECTRICAL CO., LTD 宁波高松电子有限公司
APPD:		TITLE:	CUSTOMER DRAWING
CHKD:		DRAWING NO.:	DF6B-UA-E01
DRFT:	Mf.yong2016.06.18	DO NOT SCALE DRAWING	SCALE
THIRD ANGLE PROJECTION		SCALE	1:1

A 8 7 6 5 4 3 2 1