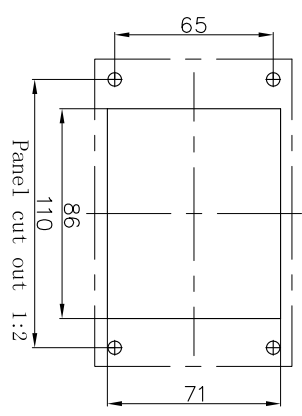
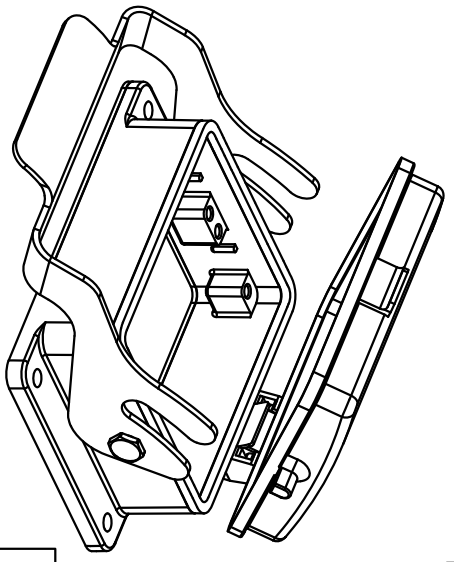
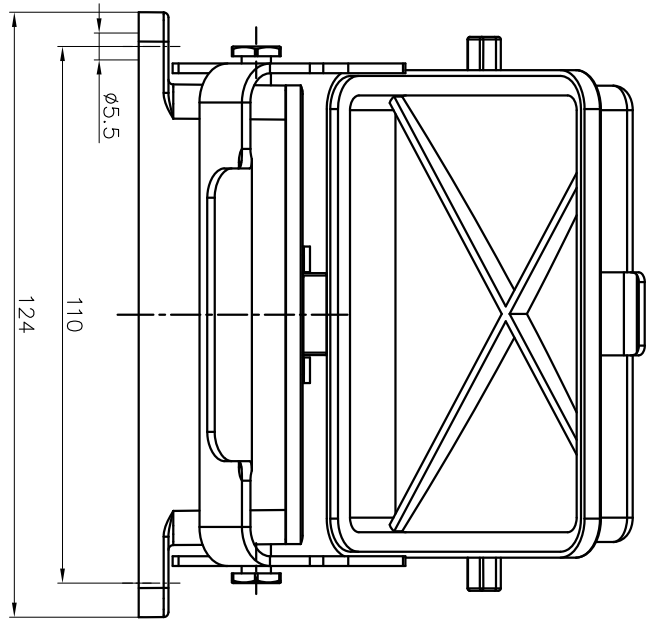
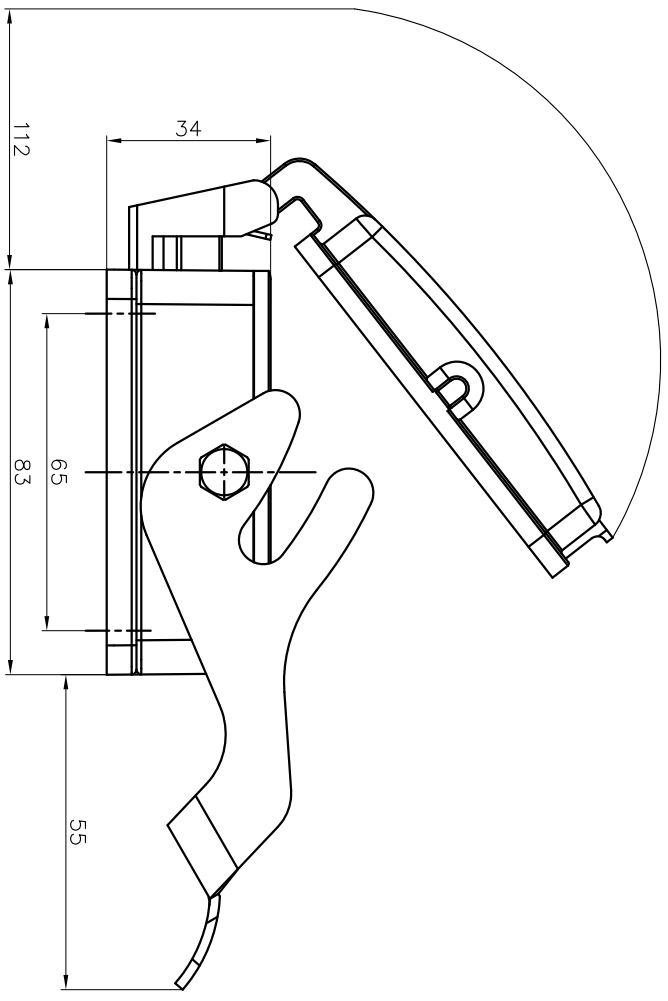


REVISION RECORD				
REV	ECN	DESCRIPTION	DRFT	DATE



Housing Feature

- 01. Material: aluminium die-cast
- 02. Surface: Powder-coated
- 03. Color: grey (RAL 7037)
- 04. Material: Stainless steel (Lever)
- 05. Sealing: NBR
- 06. Protection Covers: Plastic
- 07. Limiting temperatures: -40°C ~ +125°C
- 08. Flammability acc to UL94: V0
- 09. Degree of protection acc.to EN60529 for coupled connector : IP65
- 10. RoHS compliance

DETACHED LISTS			
PART NO.:	NAME:	NINGBO DEGSON ELECTRICAL CO., LTD	
APPRD:	CHKD:	D32B-BK-1L-CV	
DRFT: Mr. yong	2016.08.15	TITLE:	CUSTOMER DRAWING
THIRD ANGLE PROJECTION		DRAWING NO.:	REV
		DO NOT SCALE DRAWING	DO-1
		SCALE	1/1
		SCALE	1:1.5

A 8 7 6 5 4 3 2 1