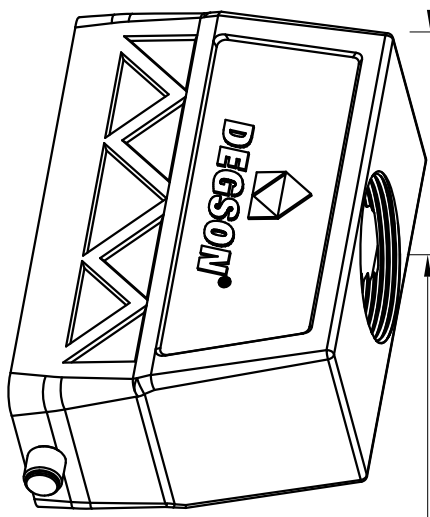
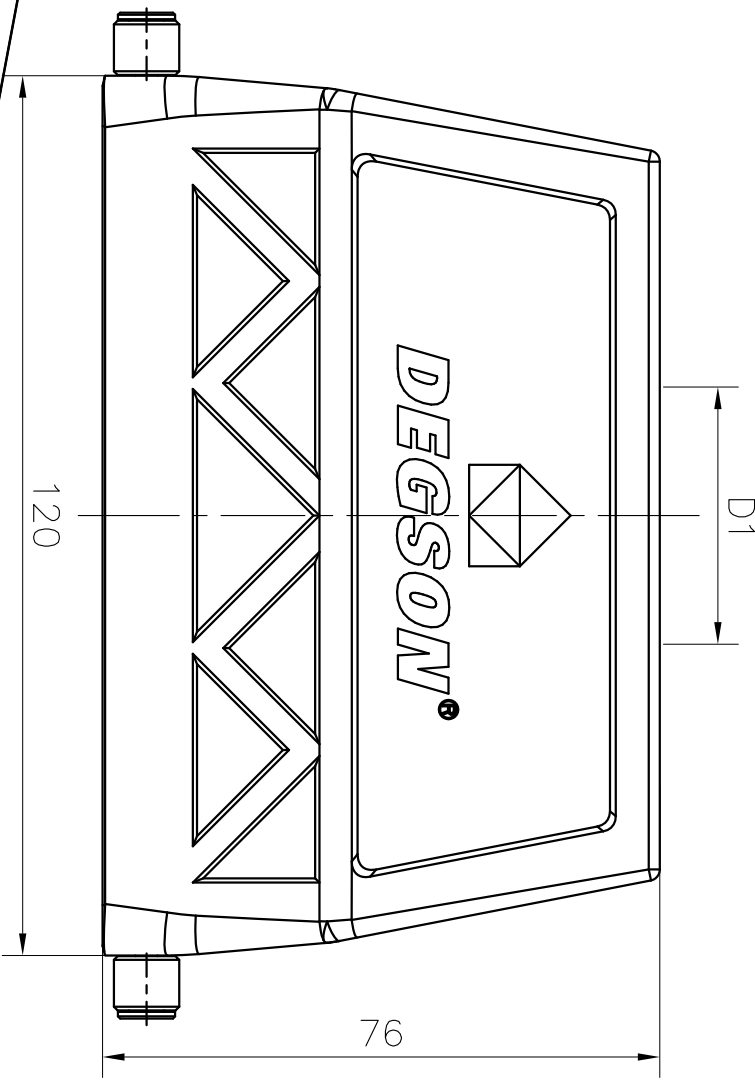
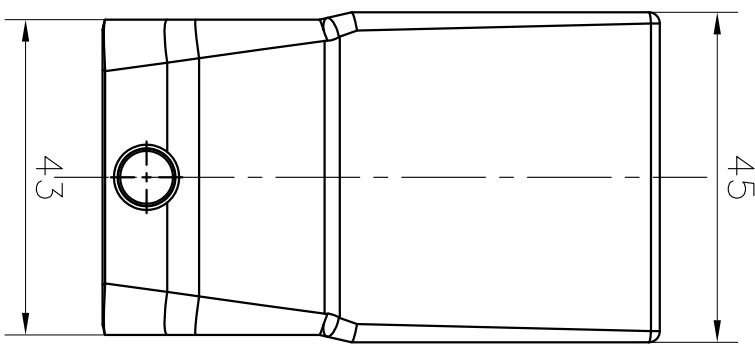


REVISION RECORD				
REV	ECN	DESCRIPTION	DRFT	DATE

TYPE	Thread(D1)	Selection
D24B-TEH-2g-M32	M32	
D24B-TEH-2g-M40	M40	
D24B-TEH-2g-PG21	PG21	
D24B-TEH-2g-PG29	PG29	



- Hoods Feature**
1. Material: aluminium die-cast
 2. Surface: Powder-coated
 3. Color: grey (RAL 7037)
 4. Limiting temperatures: -40°C ~ +125°C
 5. Flammability acc to UL94: V0
 6. Degree of protection acc.to EN60529 for coupled connector : IP65
 7. Rohs compliance

DETACHED LISTS			
PART NO.:	/	NAME:	DEGSSON 宁波高松电子有限公司 NINGBO DEGSSON ELECTRICAL CO., LTD
APPD.:			D24B-TEH-2g-M/PG
CHKD.:		TITLE:	CUSTOMER DRAWING
DRFT:	Mr. yong 2017/06/28	DRAWING NO.:	
		REV	DO-1
		SHEET	1/1
		SCALE	1:1

A 8 7 6 5 4 3 2 1