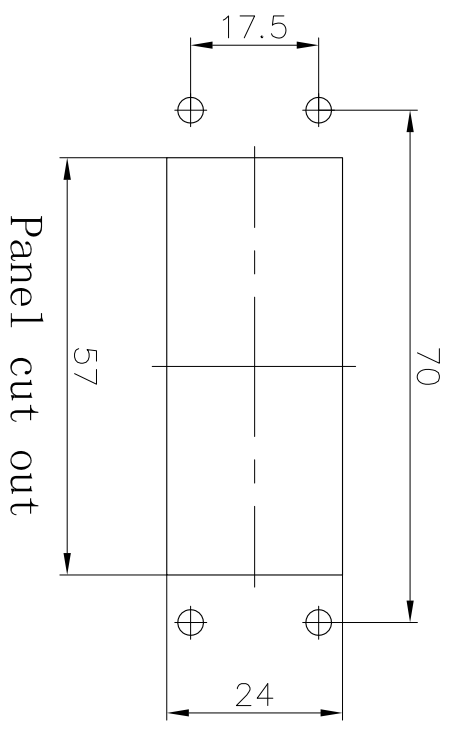
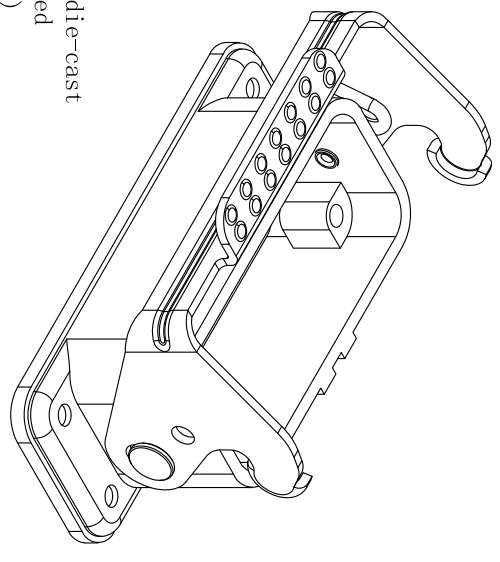
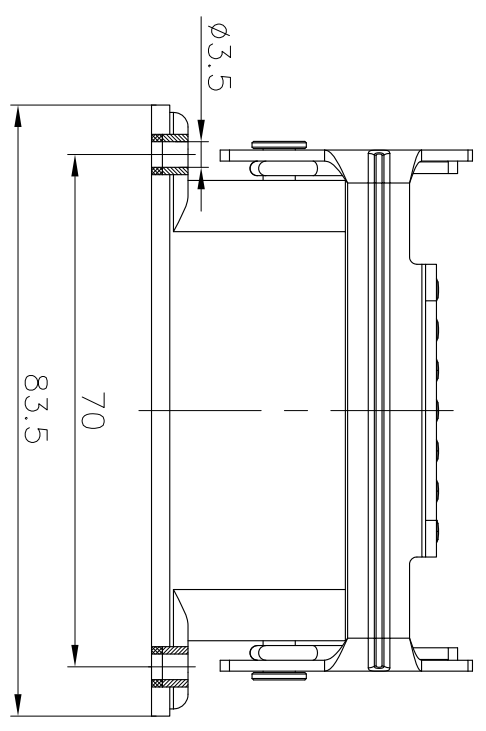
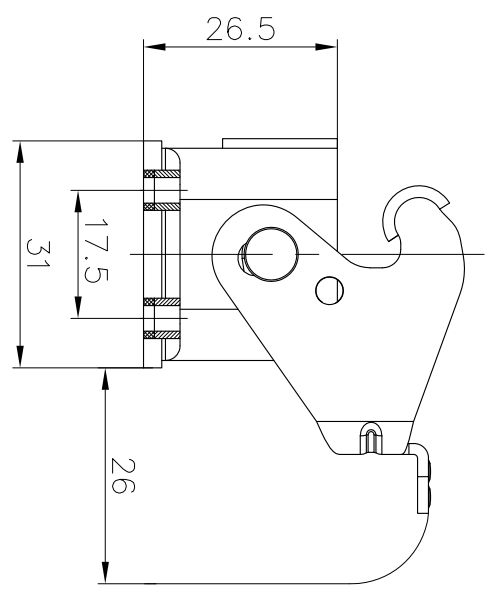


REVISION RECORD				
REV	ECN	DESCRIPTION	DRFT	DATE



Panel cut out

- Housings Feature
- 01. Material: Aluminum die-cast
  - 02. Surface: Powder-coated
  - 03. Color: grey (RAL 7037)
  - 04. Material: Metal (Lever)
  - 05. Limiting temperatures: -40°C ~ +125°C
  - 06. Housings sealing: NBR
  - 07. Flammability acc to UL94: V0
  - 08. Degree of protection acc. to EN60529 for coupled connector: IP65
  - 09. Rohs Compliance

DETACHED LISTS			
PART NO.:	<b>DEGSON</b>	NAME:	D10A-BK-1L
APPR.:			
CHKD.:			
DRFT: Mr. yong2016.08.15		TITLE: CUSTOMER DRAWING	REV DO-1
		DRAWING NO.:	SHEET 1/1
		THIRD ANGLE PROJECTION	SCALE 1:1
		DO NOT SCALE DRAWING	

NINGBO DEGSON ELECTRICAL CO., LTD  
宁波高松电子有限公司