

REVISION RECORD

REV	ECN	DESCRIPTION	DRFT	DATE

Technical characteristics:

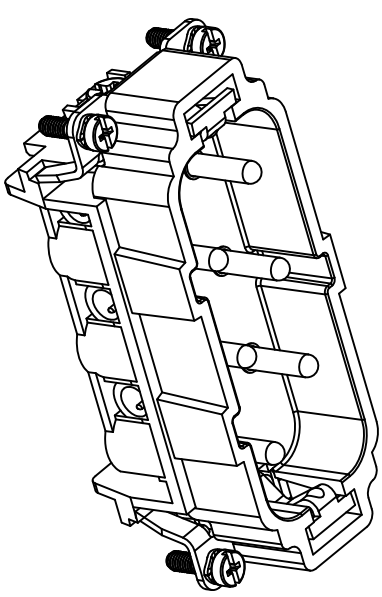
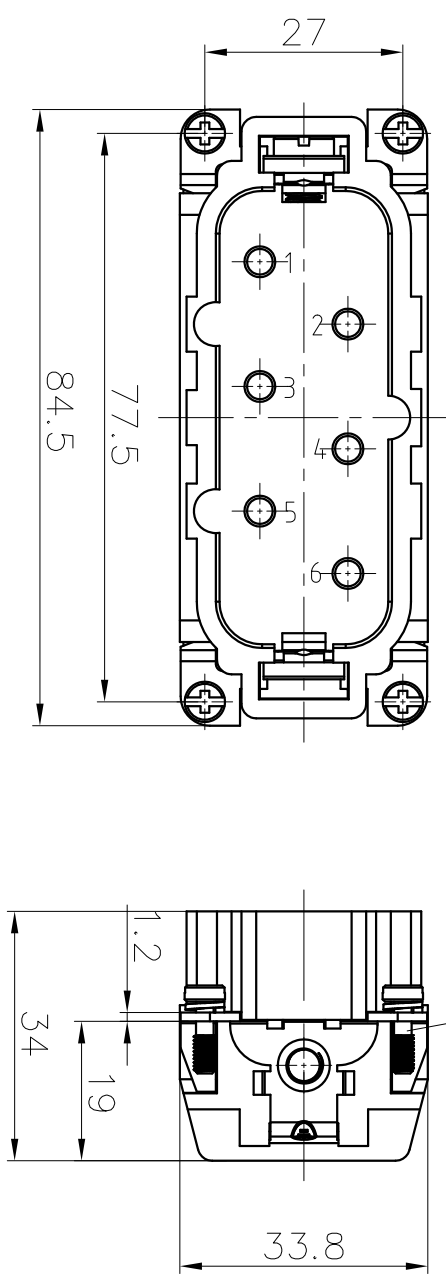
Specifications
 DIN EN 60 664-1
 DIN EN 61 984

Inserts

- 01. Number of contacts : 6+PE
- 02. Rated Current : 35A
- 03. Rated Voltage : 500V
- 04. Pollution degree : 3
- 05. Rated impulse voltage : 6kV¹⁰
- 06. Insulation resistance : ≥10¹⁰Ω
- 07. Material: Polycarbonate
- 08. Rated voltage acc. to UL/CSA: 600V
- 09. Limiting temperatures : -40°C~+125°C
- 10. Flammability acc. to UL94: V0
- 11. Mechanical working life (mating cycles) : ≥500

Contacts

- 01. Material: Copper alloy
- 02. Surface: hard-silver plated
- 03. Contact resistance : ≤1mΩ
- 04. Terminal : Screw terminal
- 05. Wire gauge : 1.5-6.0mm² (AWG 16-10)
- 06. Tightening torque : 1.2Nm
- 07. Stripping length : 9mm
- 08. Rohs Compliance



DETACHED LISTS			
PART NO.:	/	NAME:	DEGSON® NINGBO DEGSON ELECTRICAL CO., LTD 宁波高松电子有限公司
APPD.:		TITLE:	CUSTOMER DRAWING
CHKD.:		DRAWING NO.:	DSB-006-M-E01
DRFT:	Mr. Yang 2016.09.18	REV	DO-1
THIRD ANGLE PROJECTION		SHEET	1/1
		DO NOT SCALE DRAWING	SCALE
			1:1

A 8 7 6 5 4 3 2 1