

REVISION RECORD				
REV	ECN	DESCRIPTION	DRFT	DATE

Technical characteristics:
 Specifications
 DIN EN 60 664
 DIN EN 61 984

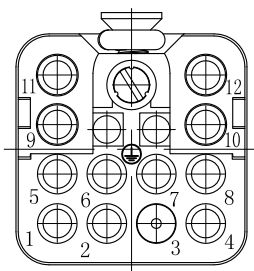
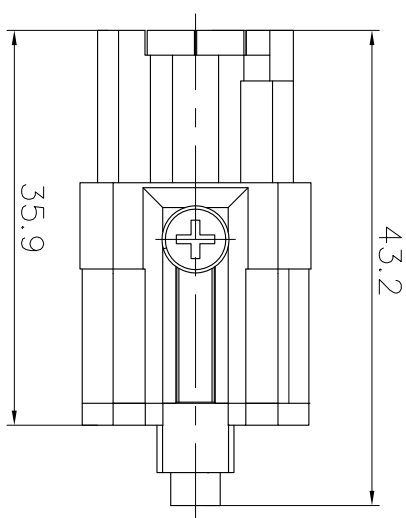
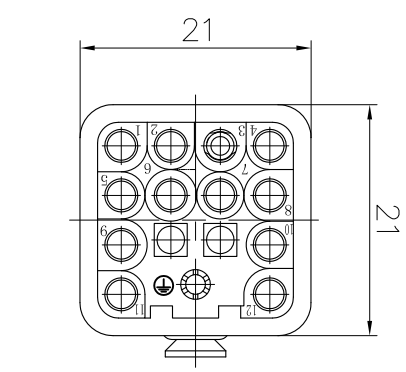
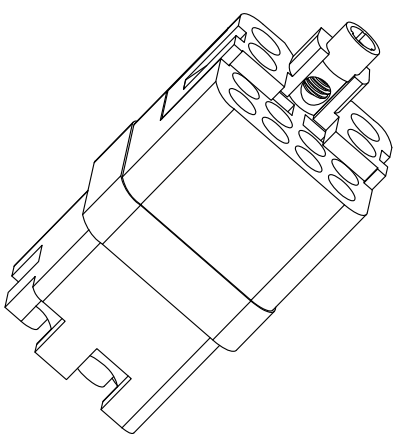
Inserts

01. Number of contacts : 12+PE
02. Rated Current : 10A
03. Rated Voltage : 400V
04. Pollution degree : 3
05. Rated impulse voltage : 6kV¹⁰
06. Insulation resistance : ≥10Ω
07. Material: Polycarbonate
08. Limiting temperatures : -40°C~+125°C
09. Flammability acc. to UL94: V0
10. Mechanical working Life (mating cycles) : ≥500

Contacts

01. Material: Copper alloy
02. Surface: hard-Silver plated
: hard-Gold plated
03. Contact resistance : ≤3mΩ
04. Terminal : Crimp terminal
05. Wire gauge : 0.14-2.5mm² (AWG 26-14)
06. Stripping length : 6-8mm
07. Rohs Compliance

Note: Crimp contact pins should order separately



DETACHED LISTS			
PART NO.:	/	NINGBO DEGSON ELECTRICAL CO., LTD	
APPD:		宁波高松电子有限公司	
CHKD:		DQ-012-FC	
DRFT:	Mr. Yang 2016.09.25	TITLE: CUSTOMER DRAWING	REV DO-1
THIRD ANGLE PROJECTION		DRAWING NO.:	SHEET 1/1
		DO NOT SCALE DRAWING	SCALE 1.5:1

A 8 7 6 5 4 3 2 1