

REVISION RECORD				
REV	ECN	DESCRIPTION	DRFT	DATE

Technical characteristics:  
 Specifications  
 DIN EN 60 664-1  
 DIN EN 61 984

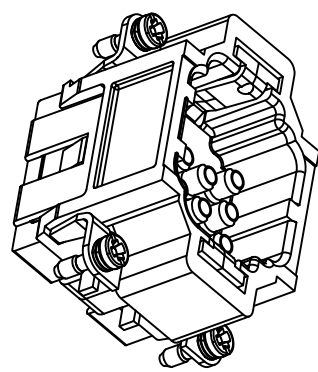
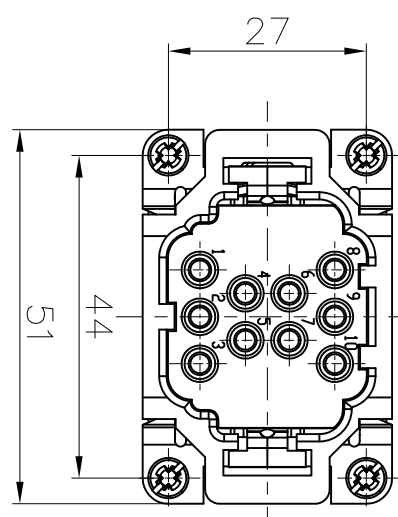
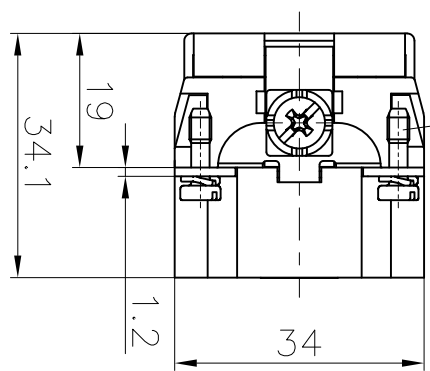
Inserts

- 01. Number of contacts : 10+PE
- 02. Rated Current : 16A
- 03. Rated Voltage : 500V
- 04. Pollution degree : 3
- 05. Rated impulse voltage : 6kv<sup>10</sup>
- 06. Insulation resistance : ≥10<sup>10</sup> Ω
- 07. Material: Polycarbonate
- 08. Rated voltage acc. to UL/CSA: 600V
- 09. Limiting temperatures : -40°C~+125°C
- 10. Flammability acc. to UL94: V0
- 11. Mechanical working life (mating cycles) : ≥500

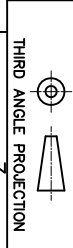
Contacts

- 01. Material: Copper alloy
- 02. Surface: hard-silver plated
- 03. Contact resistance : ≤1mΩ
- 04. Terminal : Crimp terminal
- 05. Wire gauge : 0.14-4.0mm<sup>2</sup> (AWG 26-12)
- 06. Stripping length : 7.5mm
- 07. Rohs Compliance

Note: Crimp contact pins should order separately



DETACHED LISTS			
PART NO.:	/	NAME:	DEE-010-MC
APPD:			
CHKD:			
DRFT:	Mr. Yang 2016.09.25	TITLE:	CUSTOMER DRAWING
		DRAWING NO.:	DEE-010-MC-E01
		REV	DO-1
		SHEET	1/1
		SCALE	1:1



THIRD ANGLE PROJECTION

**DEGSON** 宁波高松电子有限公司  
 NINGBO DEGSON ELECTRICAL CO., LTD

A 8 7 6 5 4 3 2 1