

REVISION RECORD				
REV	ECN	DESCRIPTION	DRFT	DATE

Technical characteristics:
 Specifications
 DIN EN 60 664-1
 DIN EN 61 984

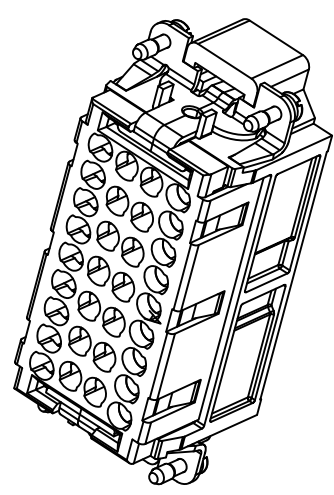
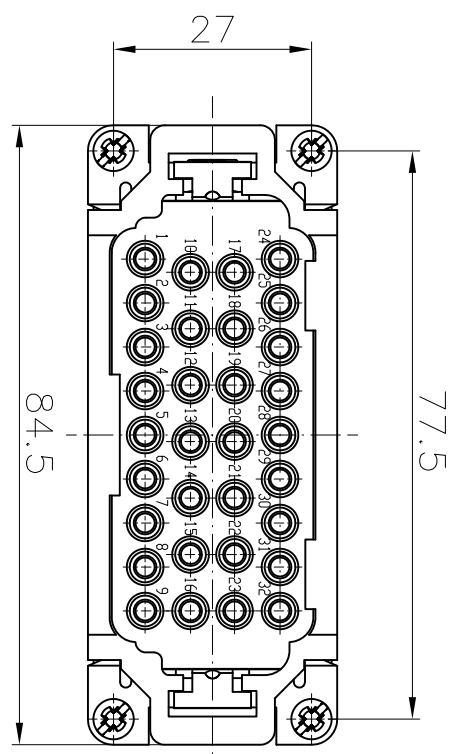
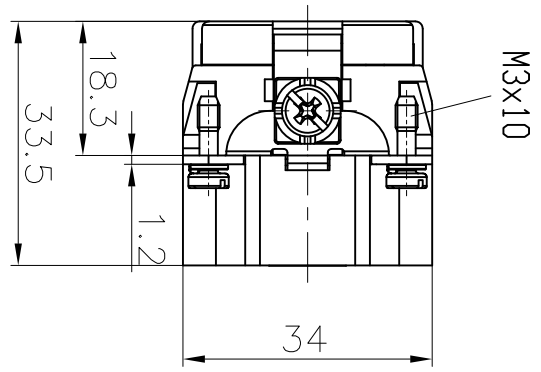
Inserts

- 01. Number of contacts : 32+PE
- 02. Rated Current : 16A
- 03. Rated Voltage : 500V
- 04. Pollution degree : 3
- 05. Rated impulse voltage : 6kv¹⁰
- 06. Insulation resistance : $\geq 10^9 \Omega$
- 07. Material: Polycarbonate
- 08. Rated voltage acc. to UL/CSA: 600V
- 09. Limiting temperatures : -40°C ~ +125°C
- 10. Flammability acc. to UL94: V0
- 11. Mechanical working life (mating cycles) : ≥ 500

Contacts

- 01. Material: Copper alloy
- 02. Surface: hard-silver plated
- 03. Contact resistance : $\leq 1m\Omega$
- 04. Terminal : Crimp terminal
- 05. Wire gauge : 0.14-4.0mm² (AWG 26-12)
- 06. Stripping length : 7.5mm
- 07. Rohs Compliance

Note: Crimp contact pins should order separately



A B C D E F G H

8

7

6

5

4

3

2

1

DETACHED LISTS			
PART NO.:	/	NINGBO DEGSON ELECTRICAL CO., LTD	
APPD:		DEEGSON® 宁波高松电子有限公司	
CHKD:		NAME: DEE-032-MC	
DRFT:	Mr. Yang 2016.09.25	TITLE:	CUSTOMER DRAWING
THIRD ANGLE PROJECTION		DRAWING NO.:	DEE-032-MC-E01
		SCALE:	DO NOT SCALE DRAWING 1:1
		REV	DO-1
		SHEET	1/1

A B C D E F G H

REVISION RECORD				
REV	ECN	DESCRIPTION	DRFT	DATE

Technical characteristics:
 Specifications
 DIN EN 60 664-1
 DIN EN 61 984

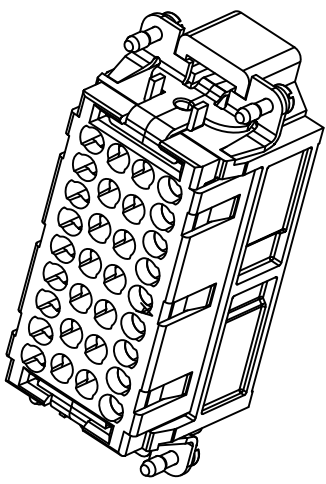
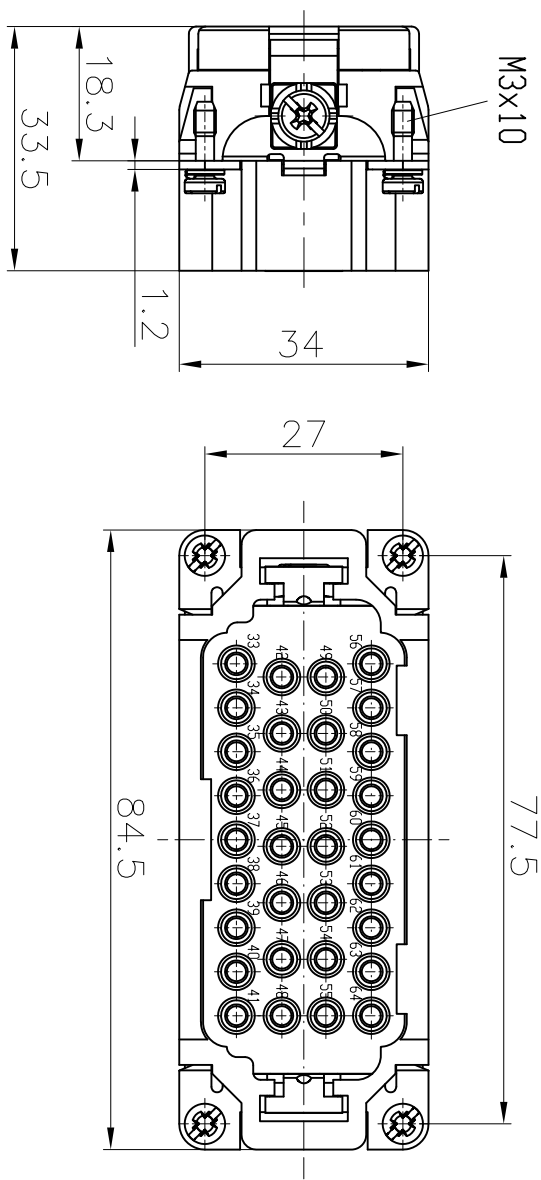
Inserts

- 01. Number of contacts : 32 (33-64) +PE
- 02. Rated Current : 16A
- 03. Rated Voltage : 500V
- 04. Pollution degree : 3
- 05. Rated impulse voltage : 6kV¹⁰
- 06. Insulation resistance : $\geq 10^9 \Omega$
- 07. Material: Polycarbonate
- 08. Rated voltage acc. to UL/CSA: 600V
- 09. Limiting temperatures : -40°C ~ +125°C
- 10. Flammability acc. to UL94: V0
- 11. Mechanical working life (mating cycles) : ≥ 500

Contacts

- 01. Material: Copper alloy
- 02. Surface: hard-silver plated
- 03. Contact resistance : $\leq 1m\Omega$
- 04. Terminal : Crimp terminal
- 05. Wire gauge : 0.14-4.0mm² (AWG 26-12)
- 06. Stripping length : 7.5mm
- 07. Rohns Compliance

Note: Crimp contact pins should order separately



DETACHED LISTS			
PART NO.:	/	NAME:	DEGSON® NINGBO DEGSON ELECTRICAL CO., LTD 宁波高松电子有限公司
APPD:		CHKD:	
DRFT:	Mr. Yang 2016.09.25	TITLE:	CUSTOMER DRAWING
THIRD ANGLE PROJECTION		DRAWING NO.:	DEE-032-MC-E02
		REV	DO-1
		SHEET	1/1
		DO NOT SCALE DRAWING	SCALE
			1:1