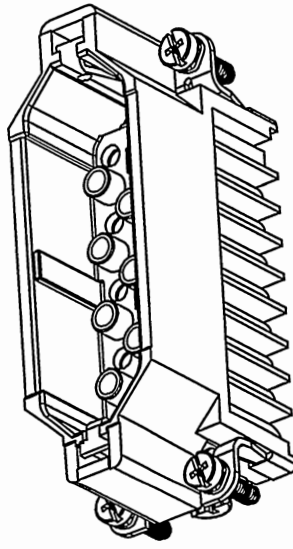
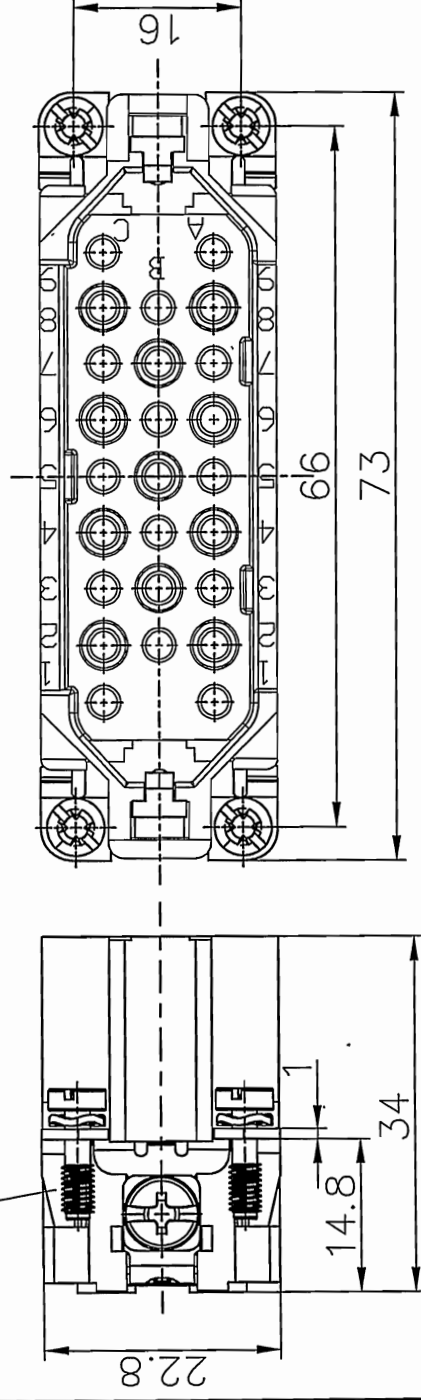


REVISION RECORD		
REV	ECN	DESCRIPTION

REV	ECN	DESCRIPTION	DRFT	DATE

M3x10



Technical characteristics:

- Specifications**
 DIN EN 60 664-1
 DIN EN 61 984
- Inserts**
 01. Number of contacts :25+PE
 02. Rated Current :10A
 03. Rated Voltage :250V
 04. Pollution degree :3
 05. Rated impulse voltage :4kV¹⁰
 06. Insulation resistance :≥10Ω
 07. Material:Polycarbonate
 08. Rated voltage acc. to UL/CSA:600V
 09. Limiting temperatures : -40°C~+125°C
 10. Flammability acc. to UL94:V0
 11. Mechanical working life (mating cycles) :≥500

Contacts

01. Material:Copper alloy
 02. Surface:hard-silver plated
 03. Contact resistance:≤3mΩ
 04. Terminal :Crimp terminal
 05. Wire gauge :0.14-2.5mm² (AWG 26-14)
 06. Stripping length :8.0mm
 07. Rohs Compliance

Note:Crimp contact pins should order separately

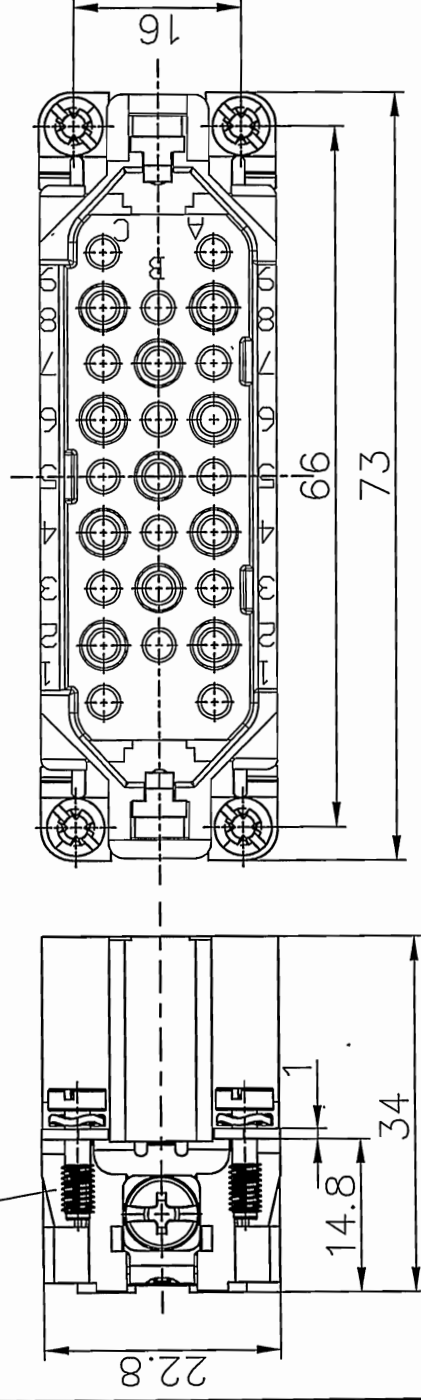
PART NO.: /	APPD: HJS 2016.8.07	NAME: 宁波高松电子有限公司	DEGSON® NINGBO DEGSON ELECTRICAL CO.,LTD	
			CHKD: FJM 2016.8.25	DD-025-MC
			TITLE: CUSTOMER DRAWING	
			DRAWING NO.: /	
DRFT: Mr.Yang 2016.07.25		REV	DO	SCALE
THIRD ANGLE PROJECTION		1/1	1/1	2:1

DETACHED LISTS

H
G
F
E
D
C
B
A

REVISION RECORD				
REV	ECN	DESCRIPTION	DRFT	DATE

M3x10



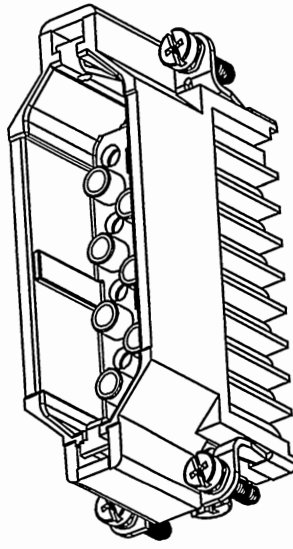
Technical characteristics:

- Specifications
 DIN EN 60 664-1
 DIN EN 61 984
- Inserts
 01. Number of contacts :25+PE
 02. Rated Current :10A
 03. Rated Voltage :250V
 04. Pollution degree :3
 05. Rated impulse voltage :4kV¹⁰
 06. Insulation resistance :≥10Ω
 07. Material:Polycarbonate
 08. Rated voltage acc. to UL/CSA:600V
 09. Limiting temperatures : -40°C~+125°C
 10. Flammability acc. to UL94:V0
 11. Mechanical working life (mating cycles) :≥500

Contacts

01. Material:Copper alloy
 02. Surface:hard-silver plated
 03. Contact resistance:≤3mΩ
 04. Terminal :Crimp terminal
 05. Wire gauge :0.14-2.5mm² (AWG 26-14)
 06. Stripping length :8.0mm
 07. Rohs Compliance

Note:Crimp contact pins should order separately



PART NO.:	/	DEGSON®	NINGBO DEGSON ELECTRICAL CO.,LTD	宁波高松电子有限公司
APPD:	HJS 2016.8.07	NAME:	DD-025-MC	
CHKD:	FJM 2016.8.25	TITLE:	CUSTOMER DRAWING	
DRFT:	Mr.Yang 2016.07.25	DRAWING NO.:	REV	DO
			1/1	SHEET
			DO NOT SCALE DRAWING	SCALE
			2:1	SCALE