

REVISION RECORD				
REV	ECN	DESCRIPTION	DRFT	DATE

Technical characteristics:

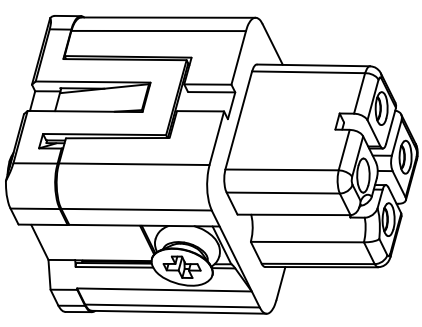
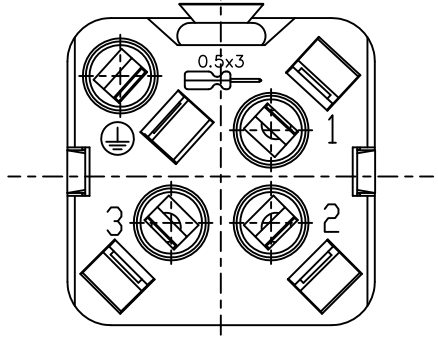
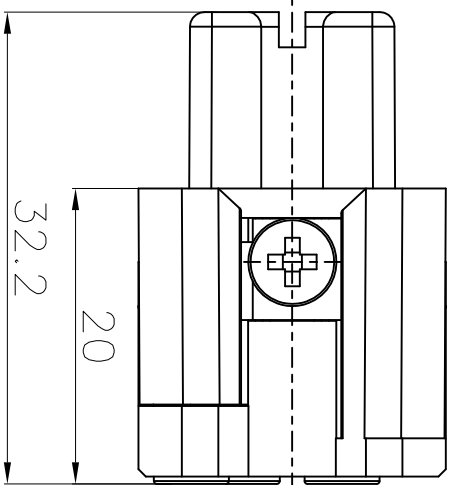
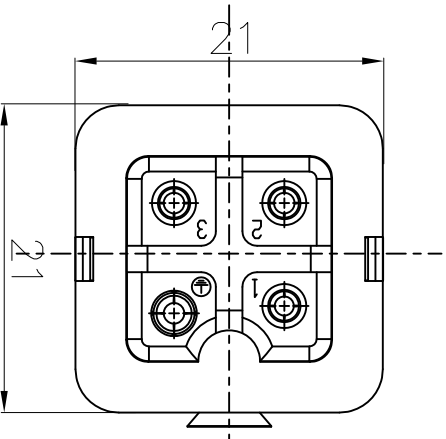
Specifications  
 DIN EN 60 664-1  
 DIN EN 61 984



Inserts

- 01. Number of contacts : 3+PE
- 02. Rated Current : 10A
- 03. Rated Voltage conductor-ground : 230V
- 04. Rated Voltage conductor-conductor : 400V
- 05. Pollution degree : 3
- 06. Rated impulse voltage : 4kV
- 07. or: 10A/250V/4kV/3
- 08. Insulation resistance :  $\geq 10^9$
- 09. Material: Polycarbonate
- 10. Colour: RAL 7032 (Light grey)
- 11. Rated voltage acc. to UL/CSA: 600V
- 12. Limiting temperatures : -40°C ~ +125°C
- 13. Flammability acc. to UL94: V0
- 14. Mechanical working life (mating cycles) :  $\geq 500$

Contacts

- 01. Material: Copper alloy
- 02. Surface: hard-silver plated
- 03. Contact resistance :  $\leq 3m\Omega$
- 04. Terminal : Cage-clamp
- 05. Wire gauge : 0.2-2.5mm<sup>2</sup> (AWG 26-14)
- 06. Stripping length : 9.0mm
- 07. Rohs Compliance



DETACHED LISTS			
PART NO.:	DA003FS	 宁波高松电子有限公司 NINGBO DEGSON ELECTRICAL CO., LTD	
APPD.:			
CHKD.:		NAME:	DA-003-FS
DRFT.:	Mr. Yang 2016.06.16	TITLE:	CUSTOMER DRAWING
 THIRD ANGLE PROJECTION		DRAWING NO.:	DA-003-FS-E01
		SCALE:	2:1

A 8 7 6 5 4 3 2 1