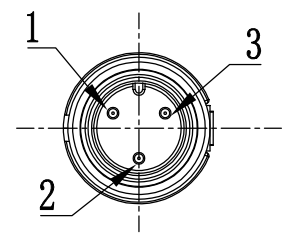


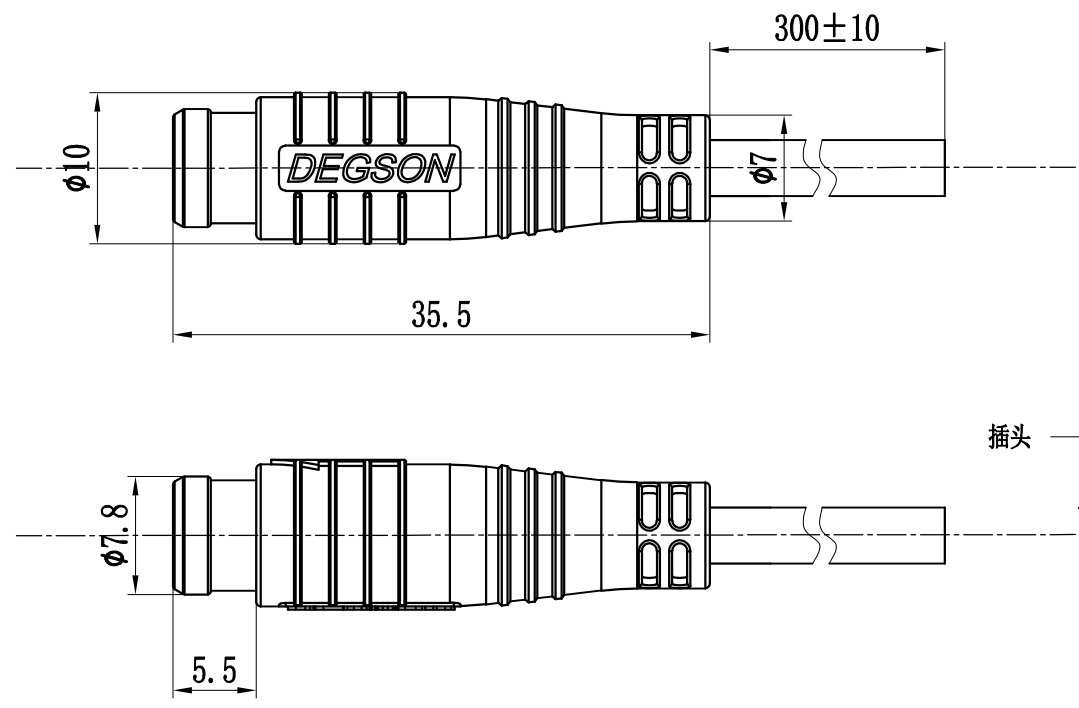
未注公差/General tolerances(mm)													0.1/10
0	>3	>6	>10	>18	>30	>50	>80	>120	>180	>250	>315	>400	
~3	~6	~10	~18	~30	~50	~80	~120	~180	~250	~315	~400	~500	
±0.12	±0.18	±0.22	±0.26	±0.31	±0.37	±0.57	±0.80	±0.93	±1.05	±1.15	±1.60	±2.20	±2.50

未标尺寸请参考3D文件

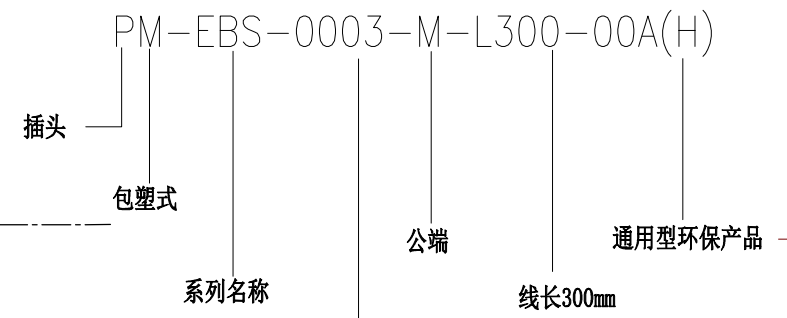


孔位标记示意

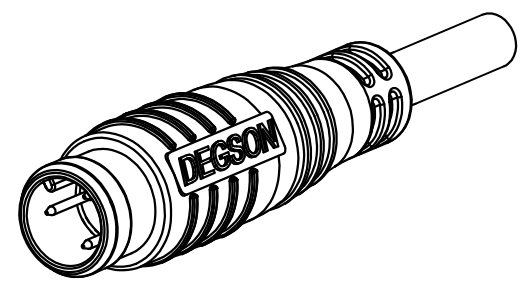
孔位	导线颜色
1	黑色
2	红色
3	蓝色



型号说明



额定电压电流/Rated Voltage/Current	48V/2A
绝缘电阻/Insulation resistance	≥30MΩ
插拔次数/Mechanical working life(mating cycles)	100
耐电压/Withstanding voltage	300V AC
使用温度范围/Operating temperature(°C)	-25~+85
防水等级/Levels of protection	IP66 (mated)
接线方式/Terminal	Soldering
导线外径范围/Wire range(mm)	3.7



MATERIAL: /	SURFACE: /		
MAT NO.:	宁波高松电子有限公司 NINGBO DEGSON ELECTRICAL CO., LTD		
STATUS: /			
APPD:	NAME: PM-EBS-0003-M-L300-00A(H)		
CHKD:	DRAWING NO.:		
DRFT: ZhuCG 2021.8.20	SCALE: 2:1		REV: T0
SIZE: A4	TYPE: CUSTOMER DRAWING	SHEET: 1/1	

REV	ECN	DESCRIPTION	DRFT	DATE
			Xxx XX	20XX.XX.XX

Transfer or duplication of this document as well as the utilization or communication of its contents are prohibited unless explicit authorization is granted. Violations will be liable for compensation. All rights reserved for patent, utility model or designs registrations. 除非给予明确授权，否则禁止转让、复制、利用、交流本文件的内容。侵犯者将承担赔偿责任。侵犯者将承担赔偿责任。