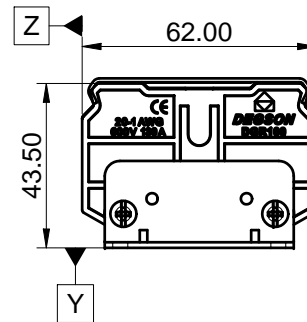
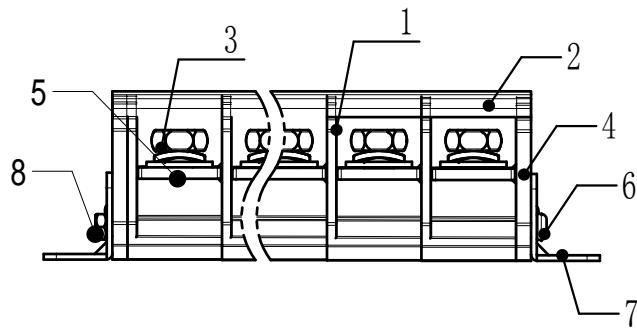
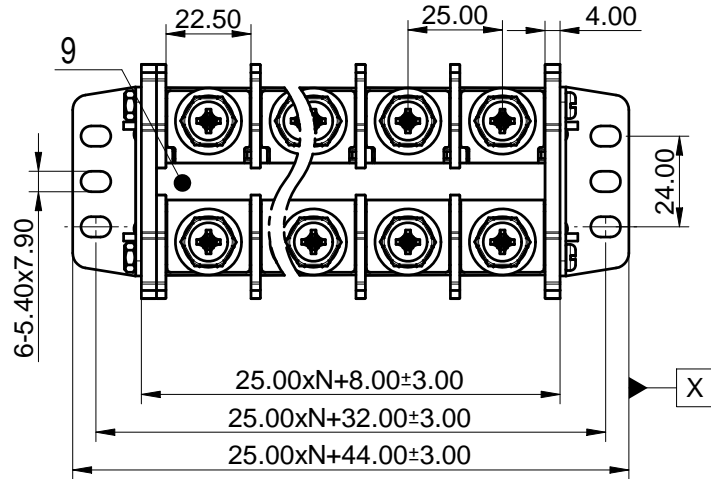


未注公差/General tolerances(mm)														
0	>3	>6	>10	>18	>30	>50	>80	>120	>180	>250	>315	>400	>500	0.1/10
~3	~6	~10	~18	~30	~50	~80	~120	~180	~250	~315	~400	~500		
±0.12	±0.18	±0.22	±0.26	±0.31	±0.37	±0.57	±0.80	±0.93	±1.05	±1.15	±1.60	±2.20	±2.50	±2'

(Without cover)



Note: The A&Z(H) in the name means: A(H) and Z(H).

ITEM	NAME OF PART	MATERIAL	NOTES
9	Tag	PVC	UL94V-0
8	Nut	Steel	Zn Plated
7	Fastener	Steel	Zn Plated
6	Connect pillar	Steel	Zn Plated
5	Current carrier	Copper alloy	Ni Plated
4	Housing2	PC	UL94V-0
3	Screw	Steel	Zn Plated/M8
2	Cover	PC	UL94V-2
1	Housing1	PC	UL94V-0

UL 标准/UL Standard:	B	C	D
额定电压/电压/Rated Voltage(V)/Current(A)	600/130	600/130	/
螺丝扭矩/Torque Tightening(N·m/Lb.in)	M8, 6.7/60.0		
线径范围(硬线和软线)/Wire Range(rigid and flexible)(AWG/mm²)	20~1 / 0.5~35		
间距/Pitch(mm)/线数范围/Poles	25/N=01~16P		
剥线长度/Stripping length(mm)	17~18		
使用温度范围/Operating temperature(°C)	-40~+125		
符合RoHS环保要求/Conform to RoHS	Yes		

APPD: 蓝贵凡	2022.11.30
CHKD: 曹利彬	2022.11.30
DRFT: 虞倩松	2022.11.30

MATERIAL:	SURFACE:		
MAT NO./REV: - / 00	MAT STATUS: 批量		
NAME			
DGR100-XXP-1Y-20A&Z(H)			
DRAWING NO.	TYPE	DRAWING STATUS	SCALE
	CUSTOMER DRAWING	已发布	1:2
			SHEET
			1/1

图纸版本	ECN	变更描述	设计人	设计日期
REV	ECN	DESCRIPTION	DRFT	DATE

Transfer or duplication of this document as well as the utilization or communication of its contents are prohibited unless explicitly authorized. All rights reserved for patent, utility model or design registrations. 非经书面授权, 否则禁止转让、复制、利用、交流本文件内容。侵犯者将承担法律责任。本公司保留对涉及发明、实用新型和外观设计专利的所有权利。