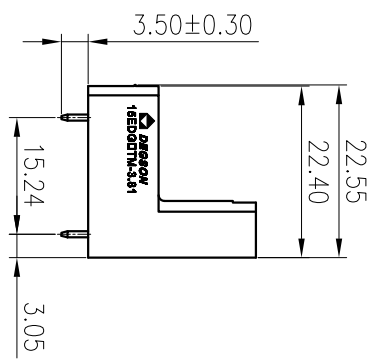
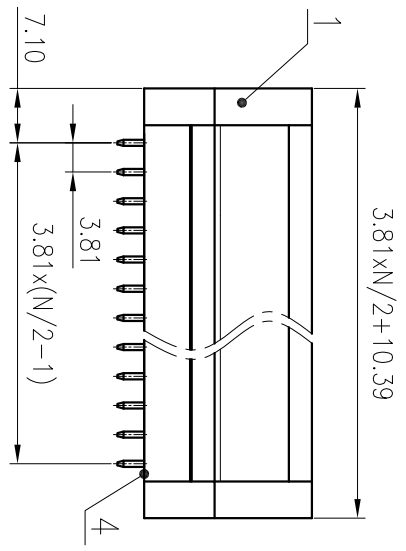
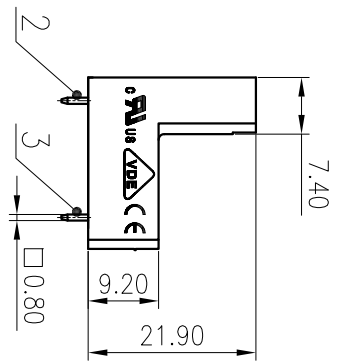
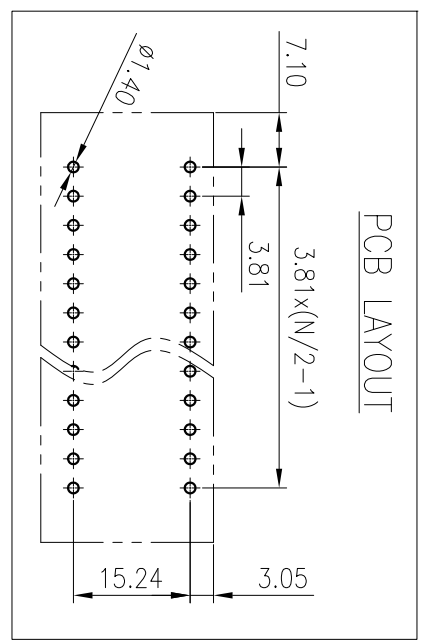
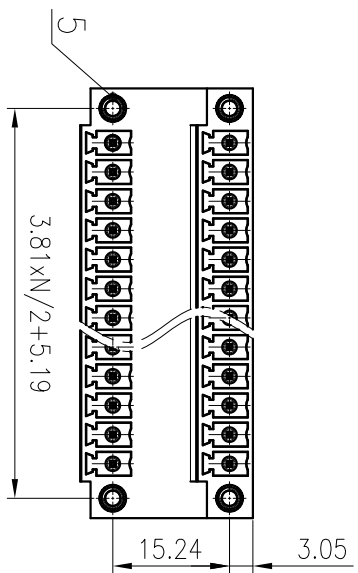


公差 (General Tolerances)		公差 (mm)	公差 (mm)
0	>3	>10	>180
~	~	~	~
3	6	10	18
±0.12	±0.18	±0.22	±0.26
±0.31	±0.37	±0.57	±0.80
±1.05	±1.15	±1.60	±2.20
±2.50	±2.50	±2.50	±2.50
0.1/10	0.1/10	0.1/10	0.1/10
±2°	±2°	±2°	±2°



ITEM	NAME OF PART	MATERIAL	NOTES
1	Housing	PA66	UL94V-0
2	Pin 1	Copper alloy	Sn Plated
3	Pin 2	Copper alloy	Sn Plated
4	Cover	PA66	UL94V-0
5	Screw cap	Copper alloy	M2.5

UL 标准/UL Standard:		B
额定电压/电压 (Rated Voltage(V)/Current(A)		300/8
EC 标准/IEC Standard:		
过压类别/Overvoltage Category/污染等级/Pollution Degree		II/2
额定电压/电流 (Rated Voltage(V)/Current(A)		250/7
额定脉冲电压 (KV)/Rate Impulse Voltage(KV)		2.5
间距/Pitch(mm)/线数范围/Poles		3.81/N=04~48P
使用温度范围/Operating Temperature(°C)		-40~+105
符合RoHS环保要求/Conform to RoHS		Yes

MATERIAL:	SURFACE:		
MAT NO.:	/		
STATUS:	/		
APPD: Ian CHH	2020.05.23	NAME:	15EDGTM-3.81-XXP-1Y-00A(H)
CHKD:	/	DRAWING NO.:	10002136
DRAFT: Yu JZh	2020.05.23	TYPE:	CUSTOMER DRAWING
SIZE: A4	(mm)	SCALE:	1:1
REV	ECN	DESCRIPTION	DATE

文管中心  
研发专用  
2020.05.23  
(仅限内部使用, 对外无效)

NINGBO DEGSON ELECTRICAL CO., LTD	宁波高松电子有限公司
15EDGTM-3.81-XXP-1Y-00A(H)	
10002136	
CUSTOMER DRAWING	
1:1	
1/1	