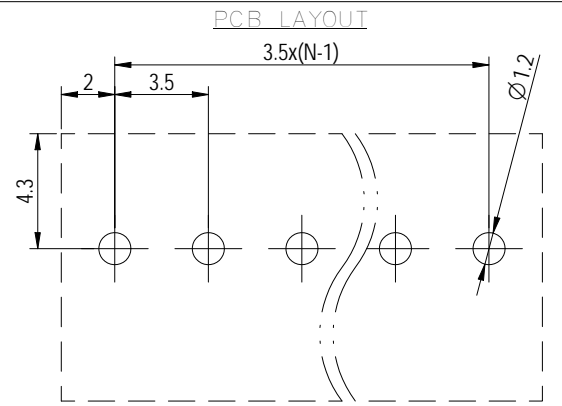
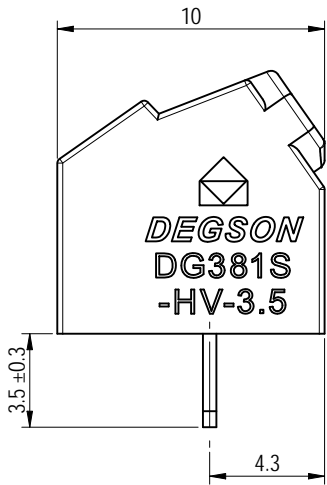
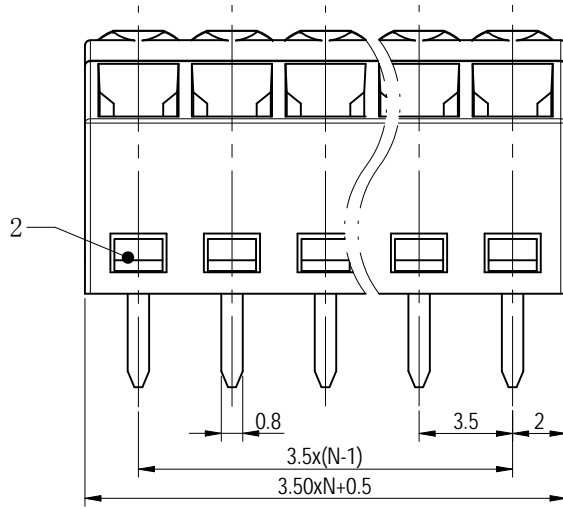
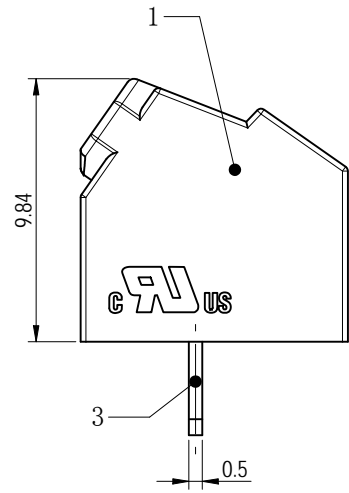
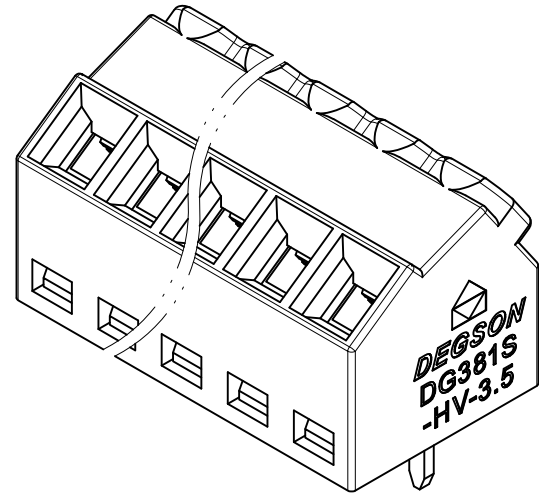
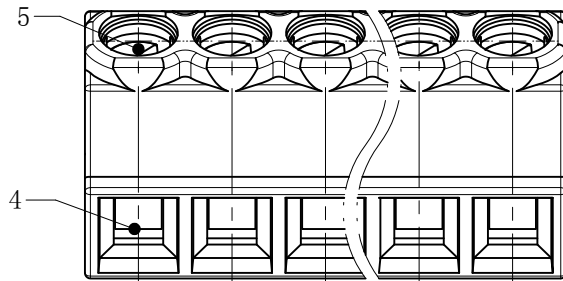


公差/General tolerances (mm)											D 0.1/10		
0	>3	>6	>10	>18	>30	>50	>80	>120	>180	>250		>315	>400
~	3	6	10	18	30	50	80	120	180	250	315	400	500
±0.12	±0.18	±0.22	±0.26	±0.31	±0.37	±0.57	±0.80	±0.93	±1.05	±1.15	±1.60	±2.20	±2.50



ITEM	NAME OF PART	MATERIAL	NOTES
5	Screw	Steel	M2/Zn plated
4	Cage	Copper alloy	M2/Ni plated
3	Pin header	Copper alloy	Sn plated
2	Cover	PA66	UL94V-0
1	Housing	PA66	UL94V-0

UL 标准/UL Standard:		B	C	D
额定电压/电流/Rated Voltage(V)/Current(A)		300/10	7	300/10
IEC 标准/IEC Standard:				
过压类别/Overvoltage Category/污染等级/Pollution Degree		III/3	III/2	III/2
额定电压/电流/Rated Voltage(V)/Current(A)		160/10	200/10	400/10
额定脉冲电压(KV)/Rate Impulse Voltage(KV)		2.5	2.5	2.5
螺丝扭矩/Torque Tightening(N·m/Lb.in)		M2: 0.2/1.77		
线径范围(硬线和软线)/Wire Range(rigid and flexible)(AWG/mm)		26-16 / 0.2-1.5		
间距/Pitch(mm)/线数范围/Poles		3.5/N-02-16P		
剥线长度/Stripping length(mm)		4-5		
使用温度范围/Operating temperature(°C)		-40-105		
符合ROHS环保要求/Conform to RoHS		Yes		

**DEGSON** MATERIAL: SURFACE/COLOR: MAT NO./REV: - / 00 MAT STATUS: 批量

NAME: **DG381S-HV-3.5-XXP-1Y-00A&Z(H)**

APPD: 兰春华	2022.09.13	NAME	DRAWING NO.	TYPE	DRAWING STATUS	SCALE	SHEET
CHKD: 朱耀志	2022.09.12		200060442	CUSTOMER DRAWING	已发布	5:1	1/1
DRFT: 朱岳鹏	2022.09.09						

REV	ECN	DESCRIPTION	DRFT	DATE
00			朱岳鹏	2022.09.09

Transfer or duplication of this document as well as the utilization of its contents without the written consent of DEGSON is prohibited. All rights reserved for patent.