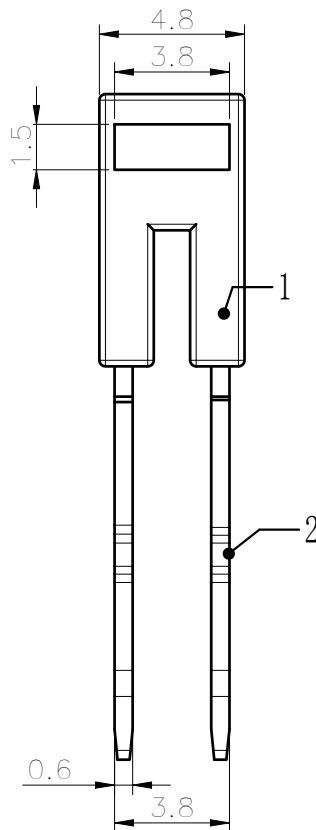
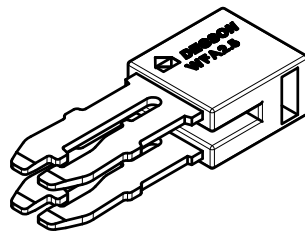
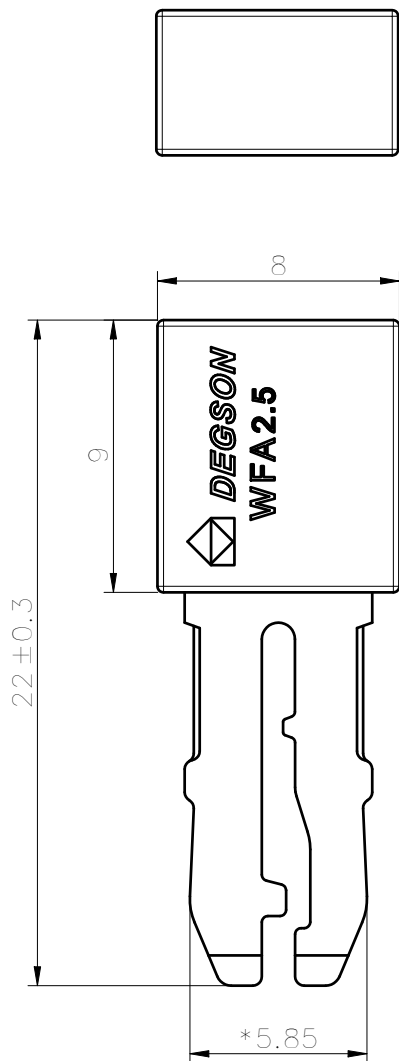


Transfer or duplication of this document as well as the utilization or communication of its contents are prohibited unless explicit authorization is granted. DEGSON reserves all rights for compensation. All rights reserved for patent, utility model or designs registrations. 非经书面明确授权，否则禁止转让、复制、利用、交还本文件的内容。一经发现侵权，侵权者将承担赔偿责任。本公司保留对涉及发明、实用新型和外观设计的所有权利。



未注公差/General tolerances(mm)													0.1/10
0	>3	>6	>10	>18	>30	>50	>80	>120	>180	>250	>315	>400	
~3	~6	~10	~18	~30	~50	~80	~120	~180	~250	~315	~400	~500	>500
±0.12	±0.18	±0.22	±0.26	±0.31	±0.37	±0.57	±0.80	±0.93	±1.05	±1.15	±1.60	±2.20	±2.50

ITEM	NAME OF PART	MATERIAL	NOTES
2	Pin header	Copper	Sn Plated
1	Housing	PA66	UL94V-0

UL 标准/UL Standard:	B	C	D
额定电压/电流/Rated Voltage(V)/Current(A)	600/15	/	/
IEC 标准/IEC Standard:			
过压类别/Overvoltage Category/污染等级/Pollution Degree	III/3	III/2	II/2
额定电压/电流/Rated Voltage(V)/Current(A)	/	800/24	/
额定脉冲电压(KV)/Rate Impulse Voltage(KV)	/	8	/
间距/Pitch(mm)/线数范围/Poles	01P		
使用温度范围/Operating temperature(°C)	-40~+105		
符合RoHS环保要求/Conform to RoHS	Yes		

DEGSON

APPD: PengM 2022.07.12

CHKD: GaoWG 2022.07.12

DRFT: XieXD 2022.07.12

MATERIAL: /	SURFACE: /
MAT. NO./REV: /	MAT STATUS: /

NAME: WFA2.5-01P-1Y-00A(H)

REV	ECN	DESCRIPTION	DRFT	DATE
00	/	/	XieXD	2022.07.12

DRAWING NO.	TYPE	DRAWING STATUS	SCALE	SHEET
/	CUSTOMER DRAWING	/	2:1	1/1