

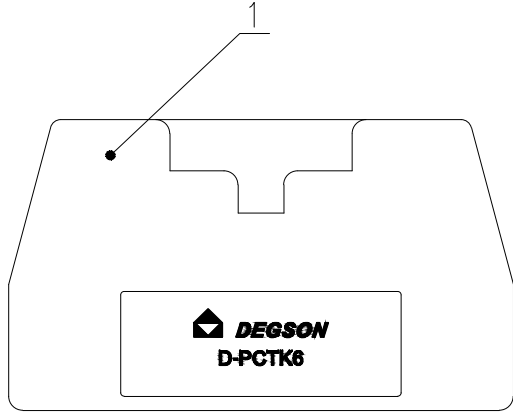
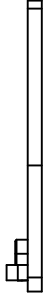
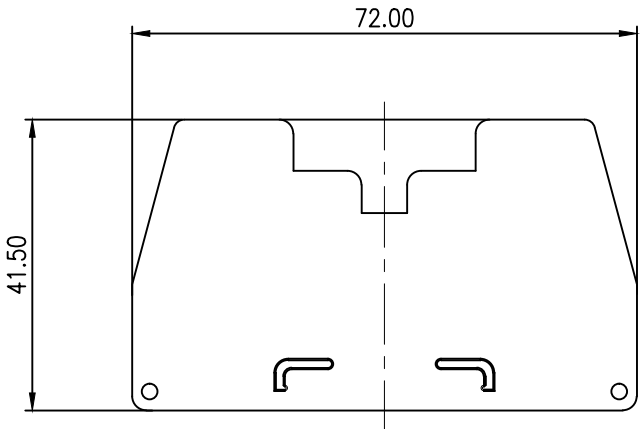
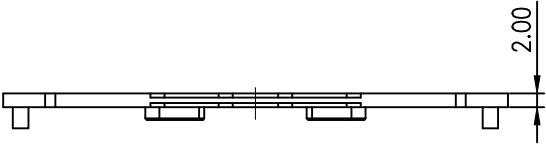
A

B

C

D

未注公差/General tolerances(mm)													0.1/10	
0 ~ 3	>3 ~ 6	>6 ~ 10	>10 ~ 18	>18 ~ 30	>30 ~ 50	>50 ~ 80	>80 ~ 120	>120 ~ 180	>180 ~ 250	>250 ~ 315	>315 ~ 400	>400 ~ 500	>500	±2'
±0.1 2	±0.1 8	±0.2 2	±0.2 6	±0.3 1	±0.3 7	±0.5 7	±0.8 0	±0.9 3	±1.0 5	±1.1 5	±1.6 0	±2.2 0	±2.5 0	



A

B

C

D

1	Cover	PA66	UL94V-0
ITEM	NAME OF PART	MATERIAL	NOTES
使用温度范围/Operating temperature(°C)			-40~+105
符合RoHS环保要求/Conform to RoHS			Yes
标准颜色编号/Standard color number: PANTONE / RAL			/

MATERIAL: /	SURFACE: /		
MAT NO.: /	宁波高松电子有限公司 DEGSON® NINGBO DEGSON ELECTRICAL CO., LTD		
STATUS: /			
APPD: Li GL 2020.06.01	NAME: D-PCTK6-01P-1Y-00A(H)		
CHKD: Mao J 2020.06.01	DRAWING NO.: D-PCTK6-C01		REV T0
DRFT: Wang LX 2020.06.01	TYPE: CUSTOMER DRAWING		SCALE: 1:1 SHEET 1/1

REV	ECN	DESCRIPTION	DRFT	DATE

SIZE: A4

mm (inch)