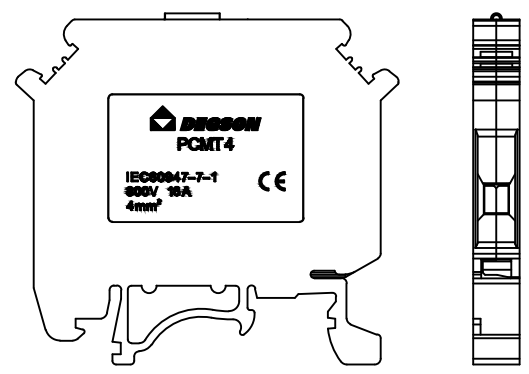
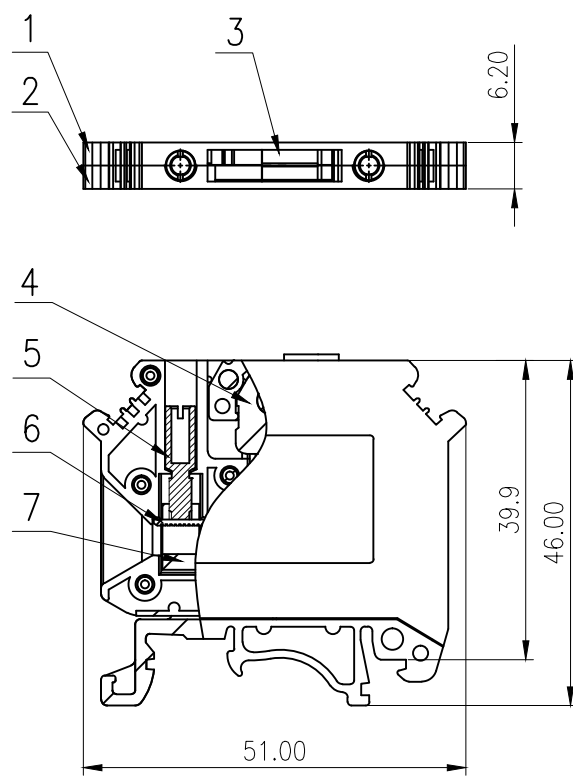


未注公差/General tolerances(mm)													0.1/10
0	>3	>6	>10	>18	>30	>50	>80	>120	>180	>250	>315	>400	
~3	~6	~10	~18	~30	~50	~80	~120	~180	~250	~315	~400	~500	>500
±0.12	±0.18	±0.22	±0.26	±0.31	±0.37	±0.57	±0.80	±0.93	±1.05	±1.15	±1.60	±2.20	±2.50



7	Cage	Copper alloy	M3/Ni Plated
6	Clamp	Copper alloy	Ni Plated
5	Screw	Copper alloy	M3/Ni Plated
4	Knife switch		Sn Plated
3	Knife box	PA66	UL94V-0
2	Housing2	PA66	UL94V-0
1	Housing1	PA66	UL94V-0

ITEM	NAME OF PART	MATERIAL	NOTES
UL 标准/UL Standard:		B	C
额定电压/电流/Rated Voltage(V)/Current(A)		600/15	/
IEC 标准/IEC Standard:			
过压类别/Overvoltage Category/污染等级/Pollution Degree		III/3	/
额定电压/电流/Rated Voltage(V)/Current(A)		800/16	/
额定脉冲电压(KV)/Rate Impulse Voltage(KV)		/	/
螺丝扭矩/Torque Tightening(N·m/Lb.in)		M3, 0.5/4.43	
线径范围(硬线和软线)/Wire Range(rigid and flexible)(mm²/AWG)		0.2-4/24~12	
间距/Pitch(mm)		6.20	
剥线长度/Stripping length(mm)		7-8	
使用温度范围/Operating temperature(°C)		-40~+105	
符合RoHS环保要求/Conform to RoHS		Yes	
标准颜色编号/Standard color number: PANTONE / RAL		/	

MATERIAL:		SURFACE:	
MAT NO.:	/	宁波高松电子有限公司 NINGBO DEGSON ELECTRICAL CO., LTD	
STATUS:	/		
APPD:	LGL 2020.4.20	NAME:	
CHKD:	MEK 2020.4.20	PCMT4-01P-1Y-00A(H)	
DRFT:	ZYH 2006.08.13	DRAWING NO.:	PCMT4-C01
		REV	T0
		TYPE:	CUSTOMER DRAWING
		SCALE:	1:1
		SHEET	1/1

REV	ECN	DESCRIPTION	DRFT	DATE