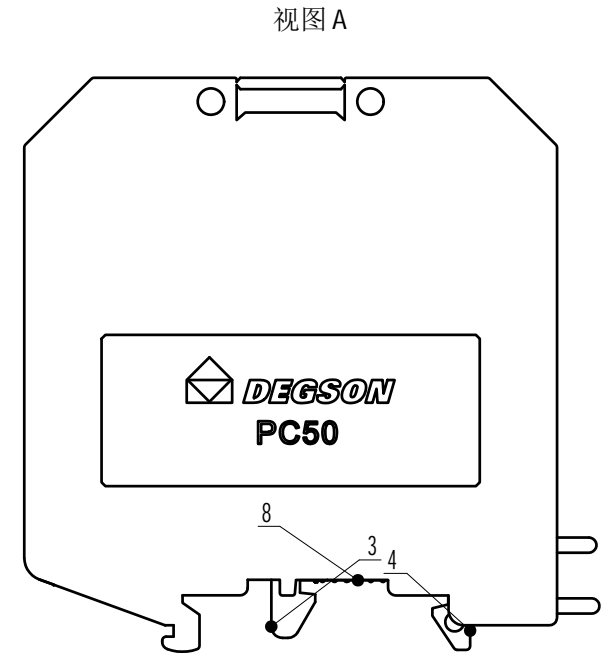
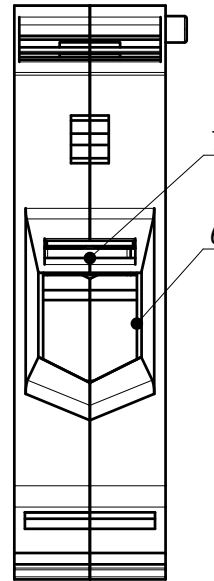
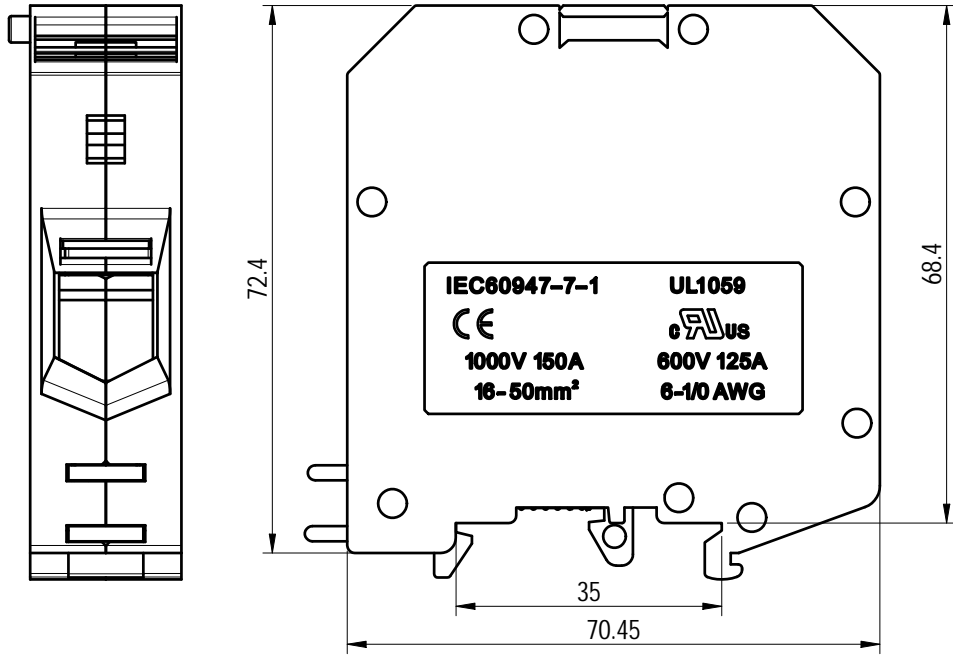
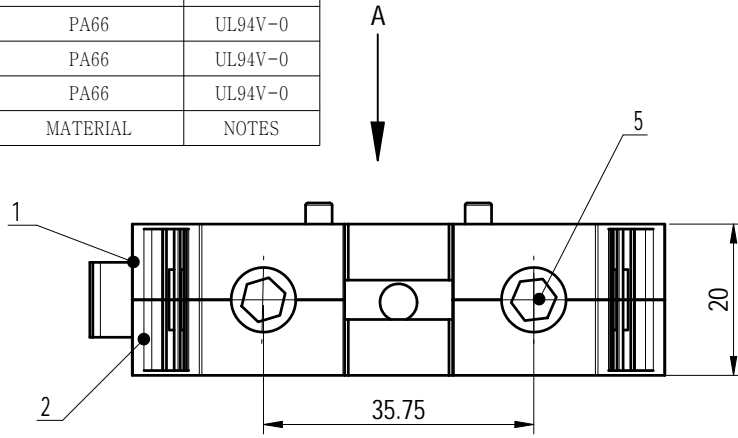


Transfer or duplication of this document as well as the utilization or summation of its contents are prohibited unless explicitly permitted. Violations will be treated as illegal activities and may result in legal action. All rights reserved for patent, utility model or design registrations. 除专利、实用新型、外观设计、软件著作权等注册外，未经许可擅自复制或传播，或在本文件基础上进行再加工、复制或传播，均属于侵权行为，公司将依法追究法律责任。所有权利保留。

FOR-1755 Rev. 1.7

8	Spring	Spring steel	/
7	Current Carrier	Copper	Sn Plated
6	Cage	Steel	Zn Plated
5	M6 screw	Steel	Zn Plated
4	Slip Component 2	PA66	UL94V-0
3	Slip Component 1	PA66	UL94V-0
2	Housing 2	PA66	UL94V-0
1	Housing 1	PA66	UL94V-0
ITEM	NAME OF PART	MATERIAL	NOTES

公差/General tolerances (mm)												0.1/10		
0	>3	>6	>10	>18	>30	>50	>80	>120	>180	>250	>315		>400	>500
±0.12	±0.18	±0.22	±0.26	±0.31	±0.37	±0.57	±0.80	±0.93	±1.05	±1.15	±1.60		±2.20	±2.50
~3	~6	~10	~18	~30	~50	~80	~120	~180	~250	~315	~400	~500	>500	



UL 标准/UL Standard:	B	C	D
额定电压/电流/Rated Voltage(V)/Current(A)	600/125	600/125	600/5
IEC 标准/IEC Standard:			
过压类别/Overvoltage Category/污染等级/Pollution Degree	III/3	III/2	II/2
额定电压/电流/Rated Voltage(V)/Current(A)	1000/150	/	/
额定脉冲电压(KV)/Rate Impulse Voltage(KV)	8	/	/
螺丝扭矩/Torque Tightening(N·m/Lb.in)	M6, 6.0/52.7		
线径范围(硬线和软线)/Wire Range(rigid and flexible)(AWG)	6~1/0/16~50		
间距/Pitch(mm)	20		
剥线长度/Stripping length(mm)	22~23		
使用温度范围/Operating temperature(°C)	-40~+105		
符合RoHS环保要求/Conform to RoHS	Yes		
标准颜色编号/Standard color number: PANTONE / RAL	/		



MATERIAL: /	SURFACE/COLOR: /
MAT NO./REV: / /	MAT STATUS: /

APPD: Peng M	2022.09.27
CHKD: Gao WG	2022.09.27

NAME	PC50-01P-1Y-01A(H)		
DRAWING NO.	TYPE	DRAWING STATUS	SCALE
/	CUSTOMER DRAWING	/	1:1

DRFT: Huang RJ	2022.09.27			
REV	ECN	DESCRIPTION	DRFT	DATE
00	/	/	Huang RJ	2022.09.27

(inch)	A4	(inch)
--------	----	--------

00	/	/	Huang RJ	2022.09.27
REV	ECN	DESCRIPTION	DRFT	DATE
00	/	/	Huang RJ	2022.09.27

DRAWING NO.	TYPE	DRAWING STATUS	SCALE	SHEET
/	CUSTOMER DRAWING	/	1:1	1/1

1

2

3

4

5

6