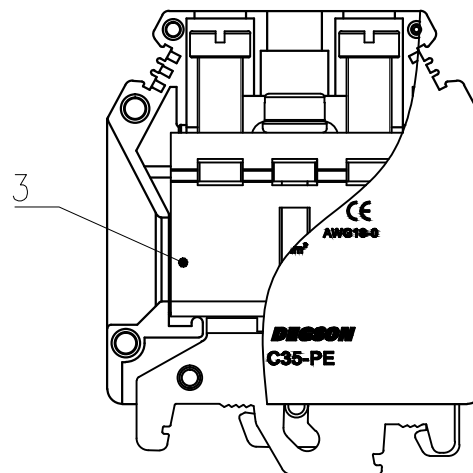
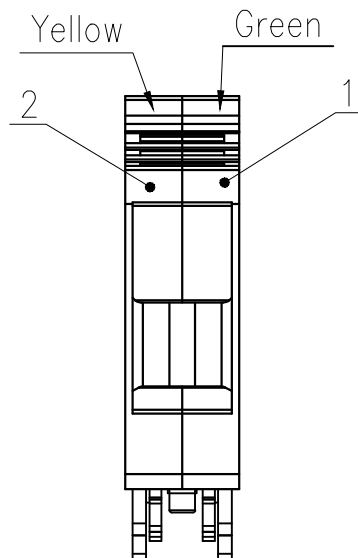
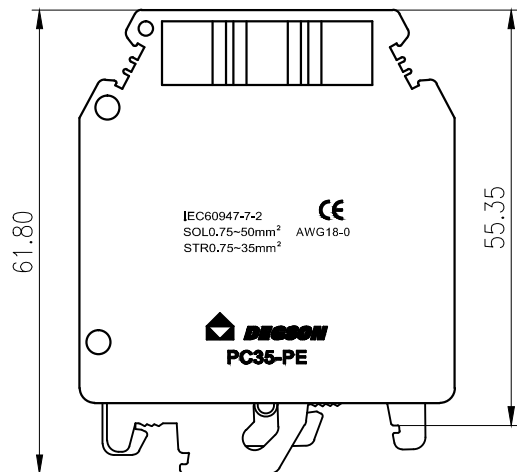
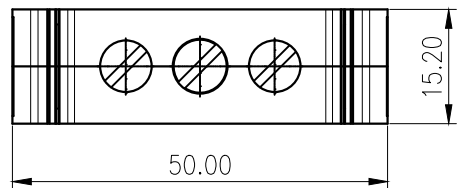


未注公差/General tolerances(mm)													0.1/10	
0 ~ 3	>3 ~ 6	>6 ~ 10	>10 ~ 18	>18 ~ 30	>30 ~ 50	>50 ~ 80	>80 ~ 120	>120 ~ 180	>180 ~ 250	>250 ~ 315	>315 ~ 400	>400 ~ 500		>500
±0.12	±0.18	±0.22	±0.26	±0.31	±0.37	±0.57	±0.80	±0.93	±1.05	±1.15	±1.60	±2.20	±2.50	±2'



ITEM	NAME OF PART	MATERIAL	NOTES
3	Ground contact		
2	Housing 2	PA66	UL94V-0
1	Housing 1	PA66	UL94V-0
UL 标准/UL Standard:		B	C
额定电压/电流/Rated Voltage(V)/Current(A)		/	/
IEC 标准/IEC Standard:			
过压类别/Overvoltage Category/污染等级/Pollution Degree		III/3	/
额定电压/电流/Rated Voltage(V)/Current(A)		/	/
额定脉冲电压(KV)/Rate Impulse Voltage(KV)		8.0	/
螺丝扭矩/Torque Tightening(N·m/Lb.in)		M6, 2.5/22.15	
线径范围(硬线和软线)/Wire Range(rigid and flexible)(mm²/AWG)		Sol0.75~50mm²/Str0.75~35mm²/18-1/0AWG	
间距/Pitch(mm)/线数范围/Poles		15.20	
剥线长度/Stripping length(mm)		18-19	
使用温度范围/Operating temperature(°C)		-40~+105	
符合RoHS环保要求/Conform to RoHS		Yes	
标准颜色编号/Standard color number:		/	

MATERIAL:	PANTONE	SURFACE:	/		
MAT NO.:	/	宁波高松电子有限公司 NINGBO DEGSON ELECTRICAL CO., LTD			
STATUS:	/				
APPD: Li GL 2020.06.04	NAME:			PC35-PE-01P-1Y-00A(H)	
CHKD: Mao J 2020.06.04	DRAWING NO.:			PC35-PE-C01	REV T1
DRFT: LIUM 2006.01.06	TYPE: CUSTOMER DRAWING	SCALE: 1:1	SHEET 1/1		

REV	ECN	DESCRIPTION	DRFT	DATE

⊕	◀	SIZE: A4	mm (inch)
---	---	----------	--------------

TYPE: CUSTOMER DRAWING	SCALE: 1:1	SHEET 1/1
------------------------	------------	-----------