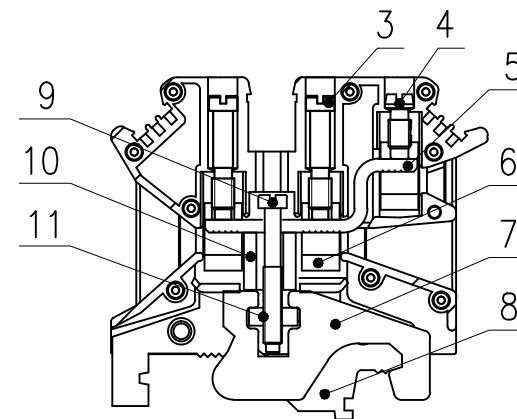
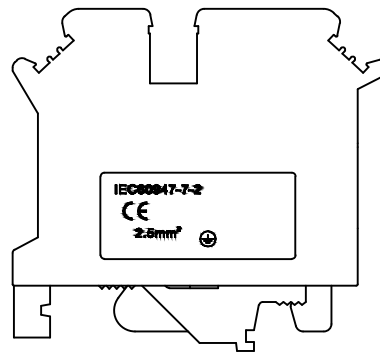
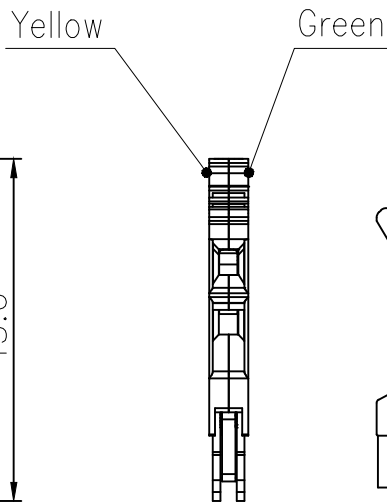
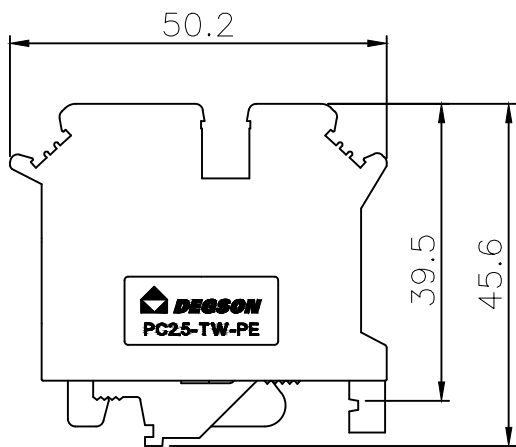
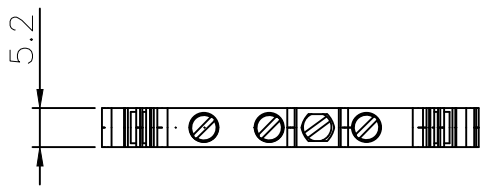


未注公差/General tolerances(mm)													0.1/10	
0 ~ 3	>3 ~ 6	>6 ~ 10	>10 ~ 18	>18 ~ 30	>30 ~ 50	>50 ~ 80	>80 ~ 120	>120 ~ 180	>180 ~ 250	>250 ~ 315	>315 ~ 400	>400 ~ 500		>500
±0.12	±0.18	±0.22	±0.26	±0.31	±0.37	±0.57	±0.80	±0.93	±1.05	±1.15	±1.60	±2.20	±2.50	±Z



11	Abnormity nut	Copper alloy	M2.5/Ni plated
10	Bar copper	Copper alloy	Ni plated
9	Adjusting bolt	Copper alloy	M2.5/Ni plated
8	Securing fitting	Copper alloy	Ni plated
7	Slip component	steel	Zn plated
6	Cage	Copper alloy	M3/Ni plated
5	Current carrier	Copper	Sn plated
4	Screw 2	Copper alloy	M3/Ni plated
3	Screw 1	Copper alloy	M3/Ni plated
2	Housing 2	PA66	UL94V-0
1	Housing 1	PA66	UL94V-0

UL 标准/UL Standard:	B	C	D
额定电压/电流/Rated Voltage(V)/Current(A)	/	/	/
EC 标准/IEC Standard:			
过压类别/Overvoltage Category/污染等级/Pollution Degree	III/3	/	/
额定电压/电流/Rated Voltage(V)/Current(A)	/	/	/
额定脉冲电压(KV)/Rate Impulse Voltage(KV)	4.0	/	/
螺丝扭矩/Torque Tightening(N·m/Lb.in)	M3, 0.5/4.43		
线径范围(硬线和软线)/Wire Range(rigid and flexible)(mm²/AWG)	0.2~2.5/24~14		
间距/Pitch(mm)	5.2		
剥线长度/Stripping length(mm)	7~8		
使用温度范围/Operating temperature(°C)	-40~+105		
符合RoHS环保要求/Conform to RoHS	Yes		
标准颜色编号/Standard color number: PANTONE / RAL	/		

MATERIAL: /	SURFACE: /		
MAT NO.: /	宁波高松电子有限公司 NINGBO DEGSON ELECTRICAL CO., LTD		
STATUS: /			
APPD: Li GL 2020.04.02	NAME: PC2.5-TW-PE-01P-1Y-00A(H)		
CHKD: Mao J 2020.04.02	DRAWING NO.: PC2.5-TW-PE-C01		
DRFT: Wang LX 2020.04.02	REV	T1	
TYPE: CUSTOMER DRAWING	SCALE: 1:1	SHEET	1/1

ITEM	NAME OF PART	MATERIAL	NOTES
------	--------------	----------	-------

REV	ECN	DESCRIPTION	DRFT	DATE
-----	-----	-------------	------	------

SIZE: A4	mm (inch)
----------	-----------