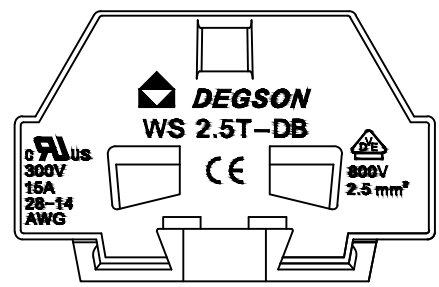
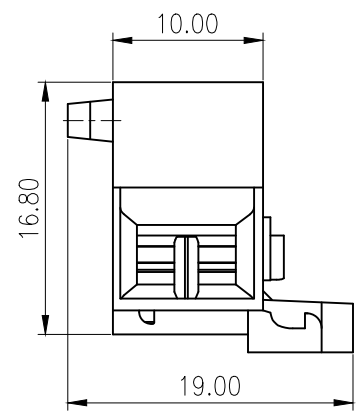
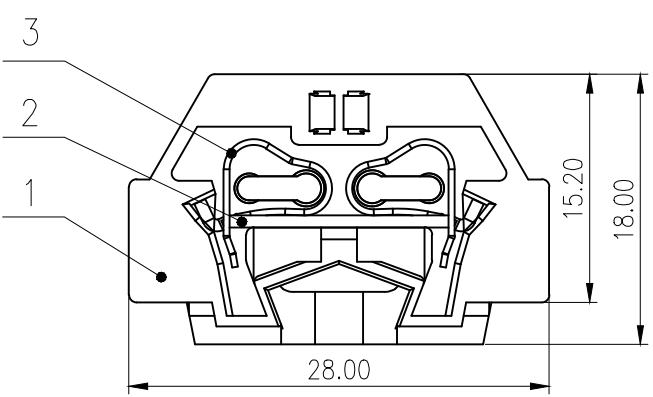
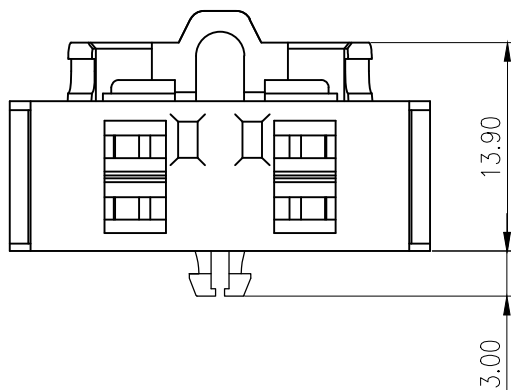


| 未注公差/General tolerances(mm) | | | | | | | | | | | | | | |
|-----------------------------|-------|-------|-------|-------|-------|-------|-------|-------|-------|-------|-------|-------|----------------|--|
| 0 | >3 | >6 | >10 | >18 | >30 | >50 | >80 | >120 | >180 | >250 | >315 | >400 | 0.05/10 ±1' | |
| ~3 | ~6 | ~10 | ~18 | ~30 | ~50 | ~80 | ~120 | ~180 | ~250 | ~315 | ~400 | >500 | | |
| ±0.08 | ±0.12 | ±0.18 | ±0.22 | ±0.26 | ±0.31 | ±0.37 | ±0.57 | ±0.80 | ±0.93 | ±1.05 | ±1.15 | ±1.60 | ±2.20 | |



| ITEM | NAME OF PART | MATERIAL | NOTES | |
|---|-----------------|---------------|-----------|--------|
| 1 | Housing | PA66 | UL94V-0 | |
| 2 | Current Carrier | Copper | Sn plated | |
| 3 | Spring | Steel | | |
| UL 标准/UL Standard: | | B | C | D |
| 额定电压/电流/Rated Voltage(V)/Current(A) | | 300/15 | 300/15 | 300/10 |
| IEC 标准/IEC Standard: | | | | |
| 过压类别/Overvoltage Category/污染等级/Pollution Degree | | III/3 | / | / |
| 额定电压/电流/Rated Voltage(V)/Current(A) | | 800/24 | / | / |
| 额定脉冲电压(KV)/Rate Impulse Voltage(KV) | | 8.0 | / | / |
| 线径范围(硬线和软线)/Wire Range(rigid and flexible)(mm²/AWG) | | 0.2~2.5/28~14 | | |
| 间距/Pitch(mm) | | 10.0 | | |
| 剥线长度/Stripping length(mm) | | 8-9 | | |
| 使用温度范围/Operating temperature(°C) | | -40~+105 | | |
| 符合RoHS环保要求/Conform to RoHS | | Yes | | |
| 标准颜色编号/Standard color number: | | PANTONE / RAL | | |

| | | | |
|------------------------|---|------------|-----------|
| MATERIAL: / | SURFACE: / | | |
| MAT NO.: / | STATUS: / | | |
| APPD: Li GL 2020.05.29 | NAME: 宁波高松电子有限公司 NINGBO DEGSON ELECTRICAL CO., LTD | | |
| CHKD: Mao J 2020.05.29 | WS2.5T-DB-01P-1Y-100A(H) | | |
| DRFT: YanH 2020.03.26 | DRAWING NO.: WS2.5T-DB-E35 | REV | TO |
| ⊕ | SIZE: A4 | SCALE: 2:1 | SHEET 1/1 |

| REV | ECN | DESCRIPTION | DRFT | DATE |
|-----|-----|-------------|------|------|
| | | | | |