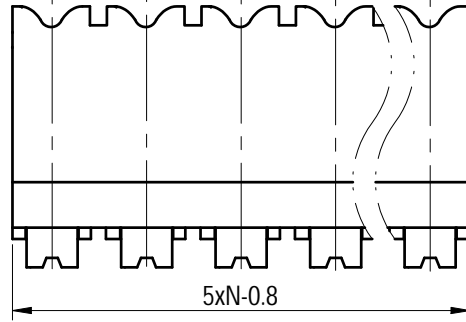
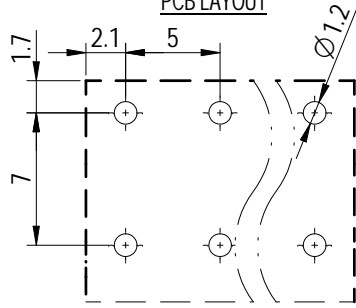
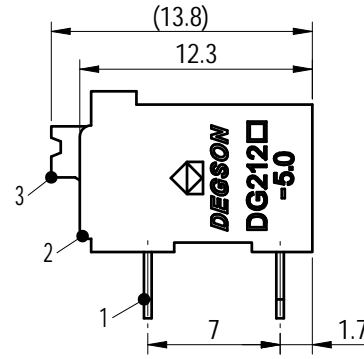
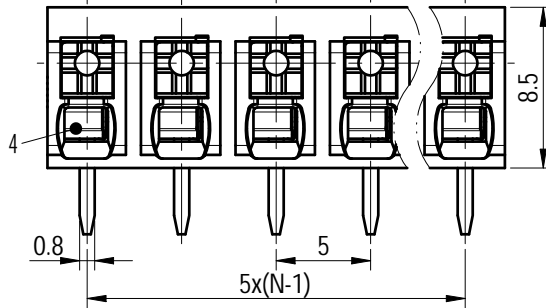
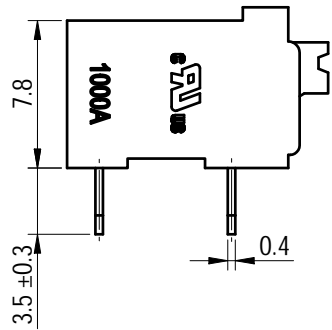
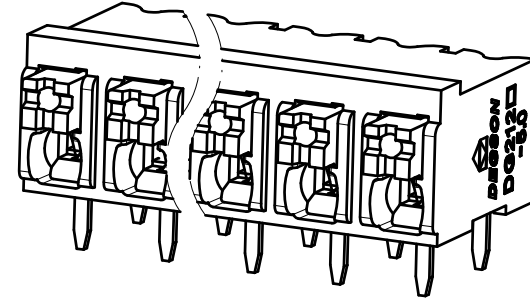


PCB LAYOUT



未注公差/General tolerances (mm)												0.1/10	
0	>3	>6	>10	>18	>30	>50	>80	>120	>180	>250	>315		>400
~3	~6	~10	~18	~30	~50	~80	~120	~180	~250	~315	~400	~500	>500
±0.12	±0.18	±0.22	±0.26	±0.31	±0.37	±0.57	±0.80	±0.93	±1.05	±1.15	±1.60	±2.20	±2.50



Note: The A&Z(H) in the name means: A(H) and Z(H).

ITEM	NAME OF PART	MATERIAL	NOTES
4	Spring	Stainless steel	/
3	Button	PA66+GF	UL94V-0
2	Housing	Thermoplastic	UL94V-0
1	Pin header	Copper Alloy	Sn Plated

UL 标准/UL Standard:		B	C	D
额定电压/电流/Rated Voltage(V)/Current(A)		300/12	/	300/10
IEC 标准/IEC Standard:				
过压类别/Overvoltage Category/污染等级/Pollution Degree		III/3	III/2	II/2
额定电压/电流/Rated Voltage(V)/Current(A)		320/17.5	320/17.5	500/17.5
额定脉冲电压(KV)/Rate Impulse Voltage(KV)		4	4	4
线径范围(硬线和软线)/Wire Range(rigid and flexible)(AWG/mm²)		28~14 / 0.2~1.5		
间距/Pitch(mm)/线数范围/Poles		5.0/N=02~24P		
剥线长度/Stripping length(mm)		8~9		
使用温度范围/Operating temperature(°C)		-40~+130		
符合RoHS环保要求/Conform to RoHS		Yes		



MATERIAL: -	SURFACE/COLOR:
MAT NO./REV: - / 00	MAT STATUS: 批量

APPD: 兰春华	2022.10.19
CHKD: 陈招	2022.10.19
DRFT: 袁路易	2022.10.19

NAME		DG212R-THR-5.0-XXP-1Y-1000A&Z(H)		
DRAWING NO.	TYPE	DRAWING STATUS	SCALE	SHEET
200022169	CUSTOMER DRAWING	已发布	2.5:1	1/1

REV	ECN	DESCRIPTION	DRFT	DATE
01			袁路易	2022.10.19



DRAWING NO.	TYPE	DRAWING STATUS	SCALE	SHEET
200022169	CUSTOMER DRAWING	已发布	2.5:1	1/1

Transfer or duplication of this document as well as the utilization or communication of its contents are prohibited unless authorized in writing by DEGSON. All rights reserved for patent. 除专利注明限制外，未经许可，不得复制或传播。 除专利注明限制外，未经许可，不得复制或传播。 除专利注明限制外，未经许可，不得复制或传播。