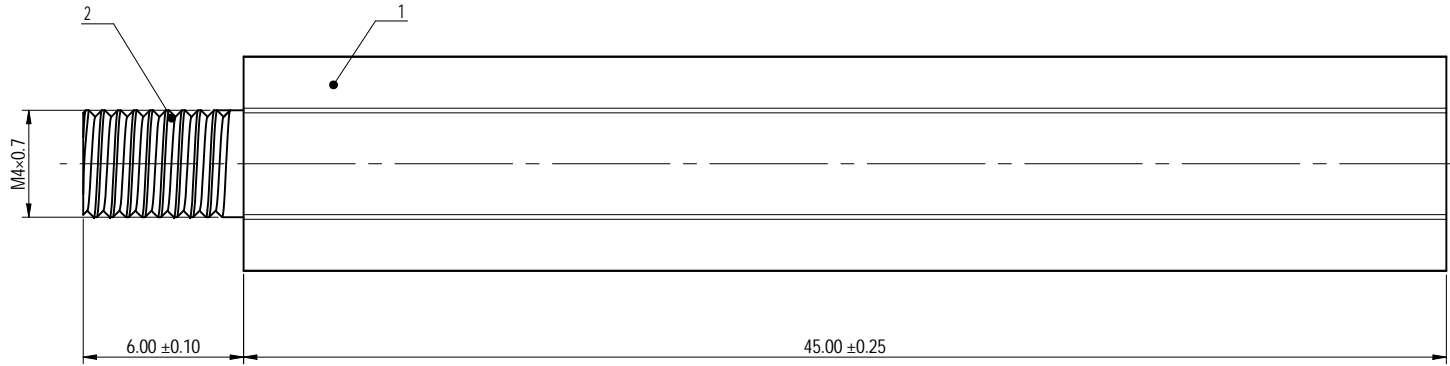
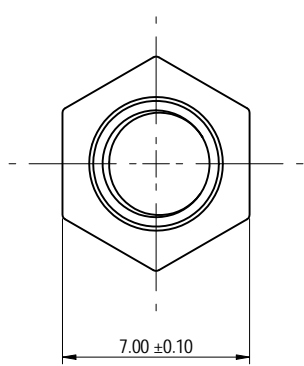
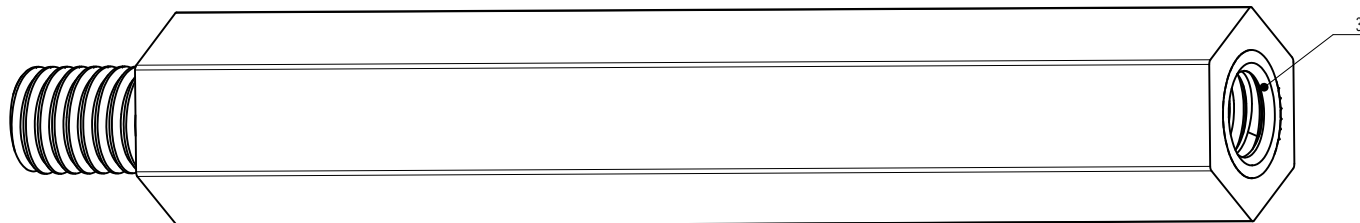


公差/General tolerances (mm)											D 0.1/10			
0	>3	>6	>10	>18	>30	>50	>80	>120	>180	>250		>315	>400	>500
~	~	~	~	~	~	~	~	~	~	~	~	~	~	~
±0.12	±0.18	±0.22	±0.26	±0.31	±0.37	±0.57	±0.80	±0.93	±1.05	±1.15	±1.60	±2.20	±2.50	±2



3	Nut	Steel	Ni Plated
2	Screw	Steel	Ni Plated
1	Housing	PA66+25%GF	UL94V-0
ITEM	NAME OF PART	MATERIAL	NOTES
			螺丝扭矩/Torque Tightening(N. m/Lb.in)
			M3, 0.8/7.0
			使用温度范围/Operating temperature(°C)
			-40 ~ +65
			符合RoHS环保要求/Conform to RoHS
			Yes

<b>DEGSON</b>		MATERIAL:	SURFACE/COLOR:		
APPD: 蓝美凡	2023.06.15	MAT NO./REV: - / 00	MAT STATUS: 批量		
CHKD: 曹利彬	2023.06.15	NAME: DG006-01P-1Y-00A (H)			
DRAFT: 姜民洁	2023.06.15	DRAWING NO. 200199200	TYPE: CUSTOMER DRAWING	DRAWING STATUS: 已发布	SCALE: 5:1
REV	ECN	DESCRIPTION	DRAFT	DATE	SHEET 1/1

Transfer or duplication of this document as well as the utilization of its contents without the written permission of DEGSON is prohibited. All rights reserved for patent. 复制或再行发布此文件以及其内容之利用，未经DEGSON书面许可，均属侵权行为。DEGSON保留所有权利。未经许可，不得复制或再行发布此文件。