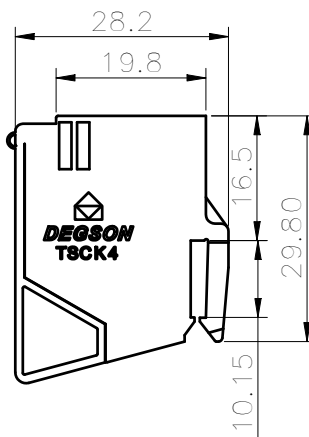
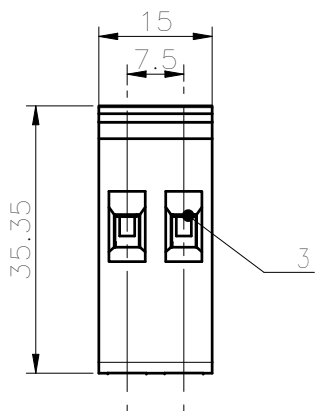
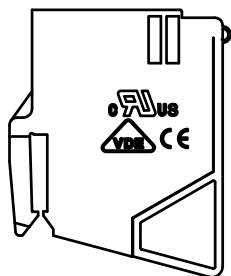
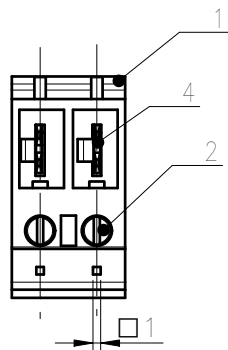
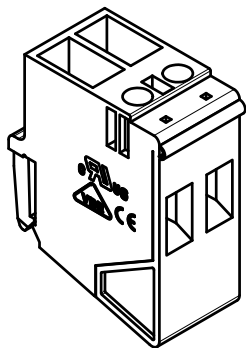


未注公差/General tolerances(mm)												
0	>3	>6	>10	>18	>30	>50	>80	>120	>180	>250	>315	>400
~3	~6	~10	~18	~30	~50	~80	~120	~180	~250	~315	~400	~500
±0.12	±0.18	±0.22	±0.26	±0.31	±0.37	±0.57	±0.80	±0.93	±1.05	±1.15	±1.60	±2.20
												±2.50
												0.1/10
												±2'



Note: The A&Z(H) in the name means: A(H) and Z(H).

ITEM	NAME OF PART	MATERIAL	NOTES
4	Pin header	Copper	Sn Plated
3	Cage	Copper alloy	M3/Ni Plated
2	Screw	Copper alloy	M3/Ni Plated
1	Housing	PA66	UL94V-0

UL 标准/UL Standard:	B	C	D
额定电压/电流/Rated Voltage(V)/Current(A)	600/30	600/30	600/5
IEC 标准/IEC Standard:			
额定电压/电流/Rated Voltage(V)/Current(A)	800/32		
螺丝扭矩/Torque Tightening(N·m/Lb.in)	M3, 0.5/4.4		
线径范围(硬线和软线)/Wire Range(rigid and flexible)(AWG/mm <sup>2</sup> )	30~10 / 0.2~4.0		
间距/Pitch(mm)/线数范围/Poles	7.5/N=02P		
使用温度范围/Operating temperature(°C)	-40~+105		
符合 RoHS 环保要求/Conform to RoHS	Yes		
标准颜色编号/Standard color number: PANTONE	158i		



MATERIAL:	SURFACE:
MAT NO./REV: 1007000091-1 / 00	MAT STATUS: 批量

APPD: 蓝贵凡	2022.11.11
CHKD: 曹利彬	2022.11.11
DRFT: 姜民浩	2022.11.11

NAME				
TSCK4-02P-15-01A&Z(H)				

REV	ECN	DESCRIPTION	DRFT	DATE	比例
00					A4

DRAWING NO.	TYPE	DRAWING STATUS	SCALE	SHEET
200018497	CUSTOMER DRAWING	已发布	1:1	1/1

Transfer or duplication of this document as well as the utilization or communication of its contents are prohibited unless written authorization is granted. DEGSON reserves all rights for compensation. All rights reserved for patent, utility model or design registrations. 非经书面授权, 严禁禁止转让、复制、利用、交还本文件的内容, 一经发现将追究法律责任。 侵权者将承担全部法律责任。 侵权者将承担全部法律责任。