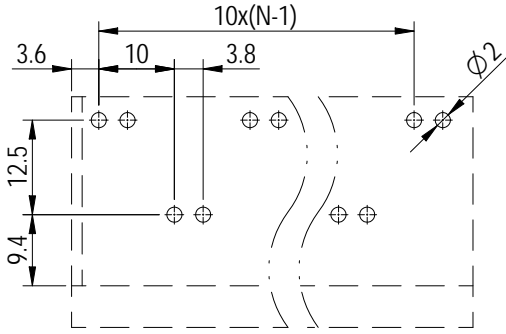
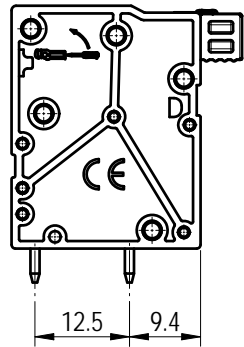
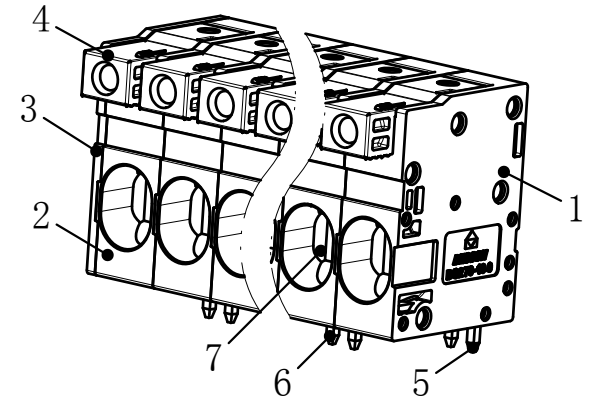
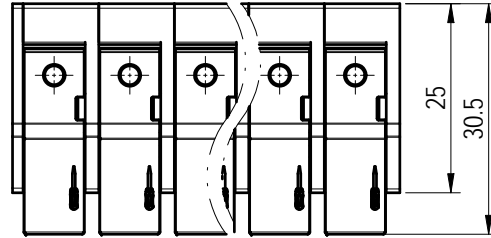


PCB LAYOUT

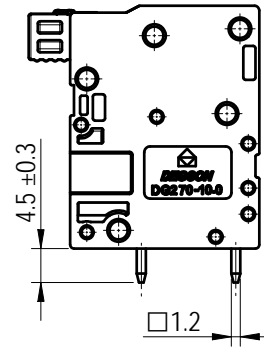
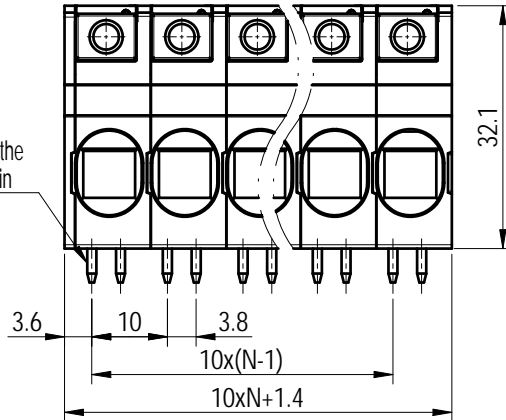


未注公差/General tolerances (mm)													0.1/10
0	>3	>6	>10	>18	>30	>50	>80	>120	>180	>250	>315	>400	
~3	~6	~10	~18	~30	~50	~80	~120	~180	~250	~315	~400	~500	>500
±0.12	±0.18	±0.22	±0.26	±0.31	±0.37	±0.57	±0.80	±0.93	±1.05	±1.15	±1.60	±2.20	±2.50

UL 标准/UL Standard:	B	C	D
额定电压/电流/Rated Voltage(V)/Current(A)	600/51	600/51	/
IEC 标准/IEC Standard:			
过压类别/Overvoltage Category/污染等级/Pollution Degree	III/3	III/2	II/2
额定电压/电流/Rated Voltage(V)/Current(A)	1000/76	1000/76	1000/76
额定脉冲电压(KV)/Rate Impulse Voltage(KV)	8	8	8
线径范围(硬线和软线)/Wire Range(rigid and flexible)(AWG/mm ²)	18~6/ 0.75~16		
间距/Pitch(mm)/线数范围/Poles	10.0/N=02~12P		
剥线长度/Stripping length(mm)	18		
使用温度范围/Operating temperature(°C)	-40~+105		
符合RoHS环保要求/Conform to RoHS	Yes		



The first pin from the left side is back pin



Note:
The A&Z(H) in the name means: A(H) and Z(H).

ITEM	NAME OF PART	MATERIAL	NOTES
7	Spring	Stainless steel	/
6	Front pin	Copper	Sn Plated
5	Back pin	Copper	Sn Plated
4	Button	PA66	UL94V-0
3	Cover	PA66	UL94V-0
2	Middle housing	PA66	UL94V-0
1	Side housing	PA66	UL94V-0

		MATERIAL:	SURFACE/COLOR:		
APPD: 兰春华 2023.02.02		MAT NO./REV: - / 00	MAT STATUS: 批量		
CHKD: 陈招 2023.02.02		NAME			
DRFT: 巴字辉 2023.02.02		DG270-10.0-DA-XXP-1Y-00A&Z(H)			
00	REV	ECN	DESCRIPTION	巴字辉	2023.02.02
1	REV	ECN	DESCRIPTION	巴字辉	2023.02.02
DRAWING NO. 200141042		TYPE CUSTOMER DRAWING	DRAWING STATUS 已发布	SCALE 1:1	SHEET 1/1

00	REV	ECN	DESCRIPTION	巴字辉	2023.02.02
1	REV	ECN	DESCRIPTION	巴字辉	2023.02.02

Transfer or duplication of this document as well as the utilization or communication of its contents are prohibited unless authorized in writing. All rights reserved for patent, utility model or design registrations. 除专利、实用新型、外观设计、集成电路布图设计、软件著作权等知识产权外，其他权利均归本公司所有。未经许可，不得复制或传播。 未经授权，不得复制或传播。