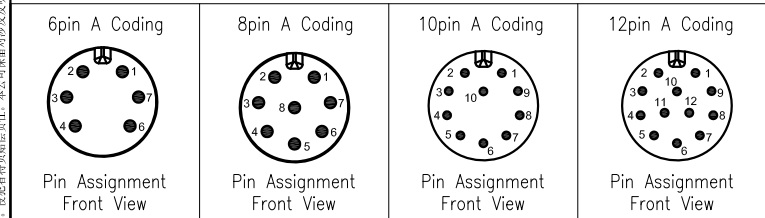
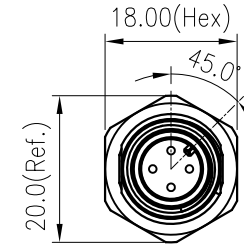
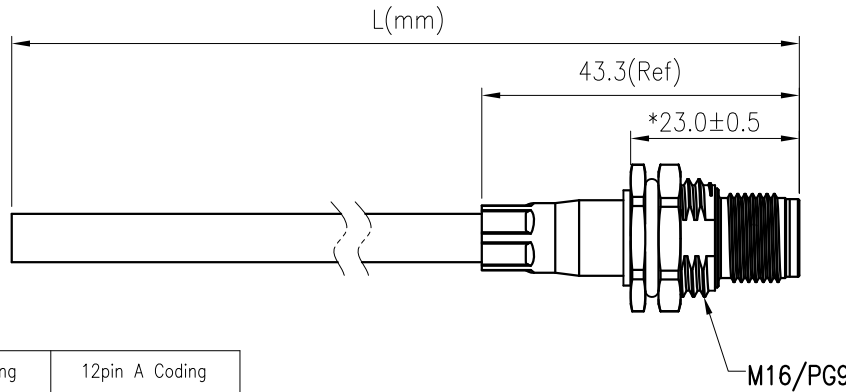
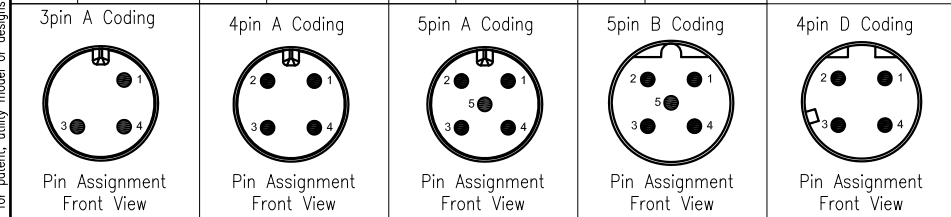


Dimensional tolerance(mm)					Length tolerance(mm)				0.10/10 ±2°
0	>30	>60	>100	>150	0	5000	10000	>30000	
~30	~60	~100	~150	~150	~5000	~10000	~30000	~>30000	
±0.25	±0.35	±0.55	±0.80	±1.10	±55	±105	±205	±505	



6pin A Coding		8pin A Coding		10pin A Coding		12pin A Coding	
Shield	Braid	Shield	Braid	Shield	Braid	Shield	Braid
7	Pink	6	Pink	6	Yellow	6	Yellow
6	Grey	5	Grey	5	Pink	5	Pink
4	Black	4	Yellow	4	Green	4	Green
3	Blue	3	Green	3	White	3	White
2	White	2	Brown	2	Blue	2	Blue
1	Brown	1	White	1	Brown	1	Brown
Conn.	Wire Color	Conn.	Wire Color	Conn.	Wire Color	Conn.	Wire Color



3pin A Coding		4pin A Coding		5pin A Coding		5pin B Coding		4pin D Coding	
Shield	Braid	Shield	Braid	Shield	Braid	Shield	Braid	Shield	Braid
4	Black	3	Blue	3	Blue	3	Blue	3	Blue
3	Blue	2	White	2	White	2	White	2	White
1	Brown	1	Brown	1	Brown	1	Brown	1	Brown
Conn.	Wire Color	Conn.	Wire Color	Conn.	Wire Color	Conn.	Wire Color	Conn.	Wire Color

- Note:
- Rated voltage/current:
 - 3,4pin A-CODE: 250V/4A
 - 5pin A-CODE: 250V/4A
 - 6,8pin A-CODE: 30V/2A
 - 10,12pin A-CODE: 30V/1.5A
 - 5pin B-CODE: 60V/4A
 - 4pin D-CODE: 250V/4A
 - Levels of protection: IP68(Mated)(1M/24H)
 - Cable specifications:
 - 03pin A-CODE: 3C*22AWG,Shield
 - 04pin A-CODE: 4C*22AWG,Shield
 - 05pin A-CODE: 5C*22AWG,Shield
 - 06pin A-CODE: 6C*24AWG,Shield
 - 08pin A-CODE: 8C*24AWG,Shield
 - 10pin A-CODE: 10C*26AWG,Shield
 - 12pin A-CODE: 12C*26AWG,Shield
 - 05pin B-CODE: 5C*22AWG,Shield
 - 04pin D-CODE: 4C*22AWG,Shield
 - Operating temperature: -40°C~+80°C
 - RoHS compliance

SESH-M12X-XXP-MM-SX8XXX-00A(H)

Coding: A, B, D

Pin number: 03, 04, 05, 06, 08, 10, 12

Cable length L:
01: 1M
02: 2M
...
99: 99M

Cable jacket:
A: PVC UL2517
B: PUR UL20549

M: M16*1.5
P: PG9

MATERIAL: /	SURFACE: /	
MAT NO.:	宁波高松电子有限公司	
STATUS: /	NINGBO DEGSON ELECTRICAL CO., LTD	
APPD:	NAME: SESH-M12X-XXP-MM-SX8XXX-00A(H)	
CHKD:	DRAWING NO.:	
DRAFT: Yuan ZH 2021.11.23	REV	00
SIZE: A3	TYPE: CUSTOMER DRAWING	SCALE: 1:1
REV	ECN	DESCRIPTION
DRFT	DATE	SCALE: 1:1
SHEET	1/1	

Transfer or duplication of this document as well as the utilization or communication of its contents are prohibited unless explicit authorization is granted. Violations will be liable for compensation. All rights reserved for patent, utility model, or designs registrations. 除非给予明确授权，否则禁止转让、复制、利用、交流本文件的内容。侵犯者将承担赔偿责任。未经许可不得复制或传播。 本公司保留所有权利。