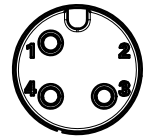
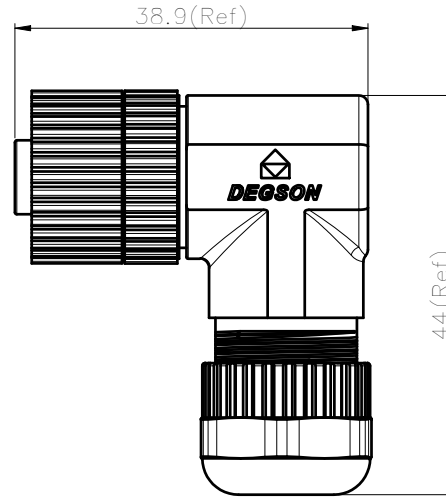
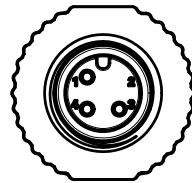
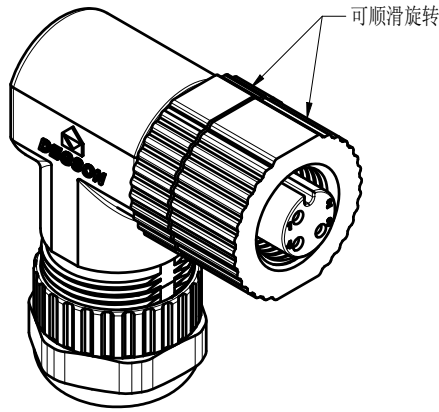
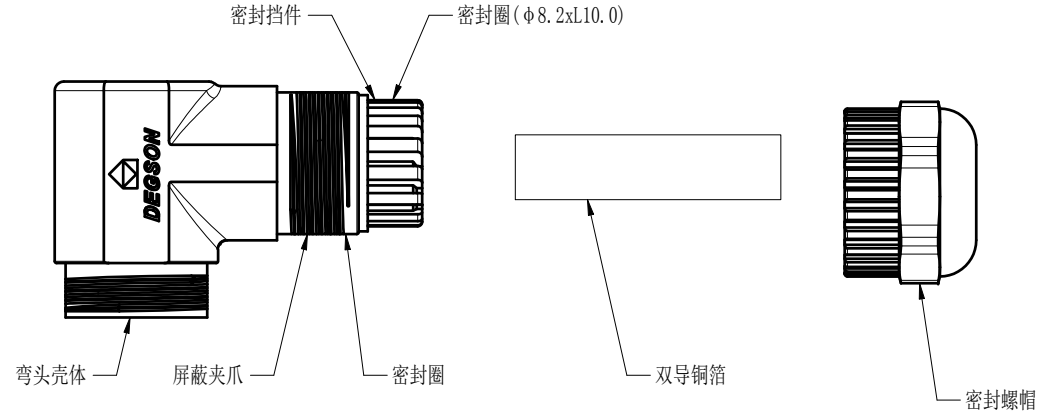
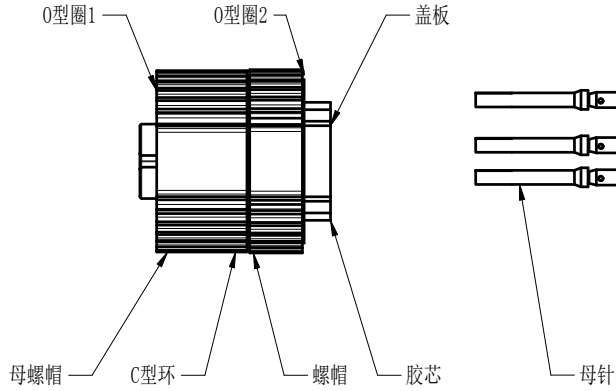


| 尺寸公差(mm) | | | | | 0.05/10 ±1' |
|--------------|----------------|-----------------|------------------|-------|----------------|
| 0 ~ 30 | >30 ~ 60 | >60 ~ 100 | >100 ~ 150 | >150 | |
| ±0.20 | ±0.30 | ±0.50 | ±0.70 | ±1.00 | |



Pin Assignments
Front View

| 技术要求/Technical requirements: | |
|-----------------------------------|--------------------|
| 额定电压电流/Rated Voltage/Current | 250V AC/4A |
| 绝缘电阻/Insulate Resistance | >100MΩ |
| 耐压/Withstanding Voltage | 1500V AC 1min |
| 防护等级/Ingress Protection | IP67 |
| 插拔寿命/Insertion/Pullout Times | 100 Cycles |
| 插拔力/Insertion/Pullout Force | <30N |
| 使用温度范围/Operating temperature(°C) | -25~+105 |
| 重点管控符号/Key controlled symbol | * |
| 包装规范/Packaging specification | SOP-Y-3383 |
| 接线方式/Terminal | Crimping |
| 螺丝扭矩/Tightening torque(N·m/Lb.in) | M12x1.0, 3~4kgf.cm |
| | M17x1.0, 4~6kgf.cm |
| 线径范围/Wire range(AWG/mm²) | 24~20/0.25~0.5 |

| | | | | | |
|-------|----|---------------------------------|-----------------------|---------------------|---------------------|
| | | MATERIAL: | SURFACE/COLOR: | | |
| APPD: | | MAT NO./REV: 20030002374-1 / 01 | MAT STATUS: 小批量 | | |
| CHKD: | | NAME | | | |
| DRFT: | | PCSH-M12A-03P-FF-SR7002-00A (H) | | | |
| ④ | A4 | DRAWING NO. 200108844 | TYPE CUSTOMER DRAWING | DRAWING STATUS work | SCALE 2:1 SHEET 1/1 |

| REV | ECN | DESCRIPTION | DRFT | DATE |
|-----|-----|-------------|------|------|
| 00 | | | | |

Transfer or duplication of this document as well as the utilization or communication of its contents are prohibited unless authorized in writing by DEGSON. All rights reserved for patent, utility model or design registrations. 除专利等权利外，所有权利均归 DEGSON 公司保留。未经授权，不得复制或传播本文件内容。