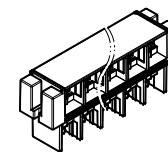
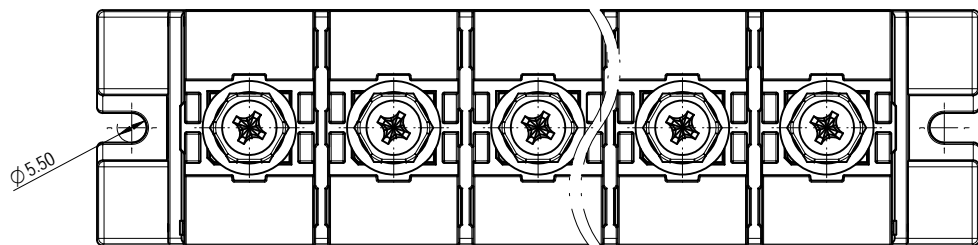
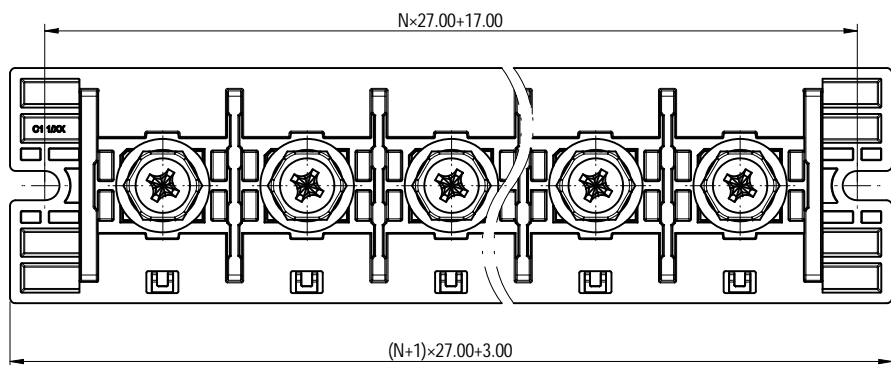
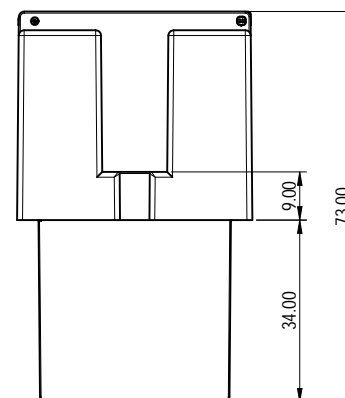
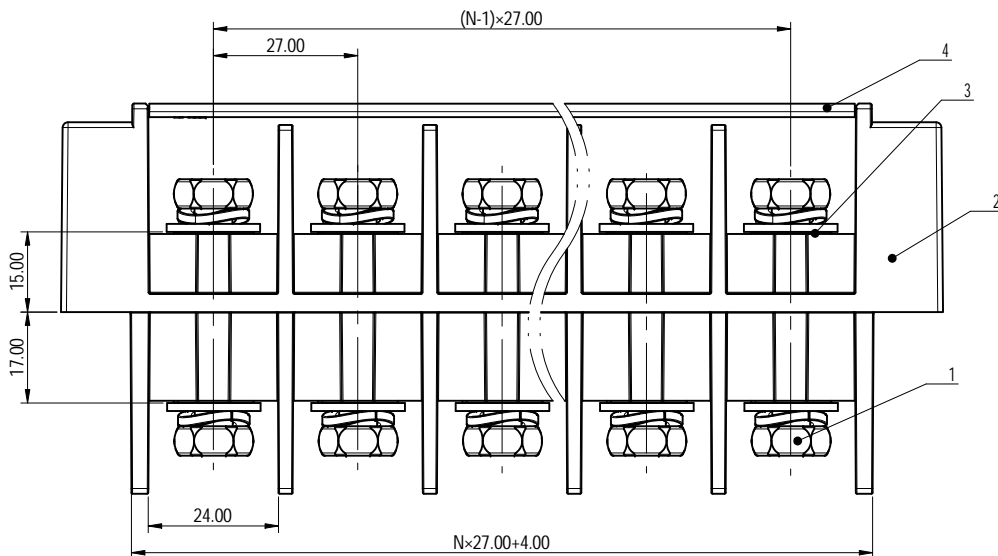
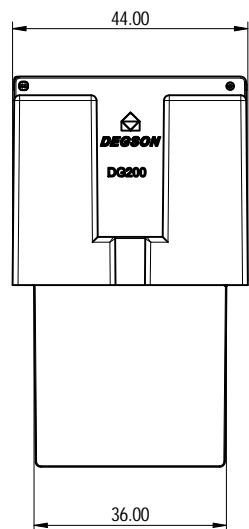


| 公差/General tolerances (mm) | | | | | | | | | | | D | | |
|----------------------------|-------|-------|-------|-------|-------|-------|-------|-------|-------|-------|-------|-------|--------|
| 0 | >3 | >6 | >10 | >18 | >30 | >50 | >80 | >120 | >180 | >250 | | >315 | >400 |
| ±0.12 | ±0.18 | ±0.22 | ±0.26 | ±0.31 | ±0.37 | ±0.57 | ±0.80 | ±0.93 | ±1.05 | ±1.15 | ±1.60 | ±2.20 | ±2.50 |
| | | | | | | | | | | | | | 0.1/10 |
| | | | | | | | | | | | | | ±2 |

(W/O COVER VIEW)



1: 5



Note: The A&Z (H) in the name means: A (H) and Z (H).

| ITEM | NAME OF PART | MATERIAL | NOTES |
|------|--------------|--------------|-----------|
| 4 | Cover | PC | UL94V-2 |
| 3 | Cage | Copper alloy | Ni Plated |
| 2 | Housing | PA66+25%GF | UL94V-0 |
| 1 | Screw | Steel | Zn Plated |

| UL 标准/UL Standard: | | E | |
|--|----------------|-------|------|
| 额定电压/Rated Voltage (V)/Current (A) | 1000/200 | | |
| IEC 标准/IEC Standard: | | E | |
| 过压类别/Overvoltage Category/污染等级/Pollution Degree | III/3 | III/2 | II/2 |
| 额定电压/Rated Voltage (V)/Current (A) | 1500/200 | / | / |
| 额定脉冲电压/Rate Impulse Voltage (KV) | 8 | / | / |
| 螺丝扭矩/Torque Tightening (N·m/Lb·in) | M8: 6.0/53.12 | | |
| 线径范围(硬线和软线)/Wire Range (rigid and flexible) (AWG/mm ²) | 6~3/0/10~70 | | |
| 间距/Pitch (mm)/线数范围/Poles | 27.00/N=02~05P | | |
| 使用温度范围/Operating temperature (°C) | -40~+105 | | |
| 符合RoHS环保要求/Conform to RoHS | Yes | | |

| | | | | | |
|---------------|---------------------|----------------|-------------------------|-----------------|--------|
| DEGSON | MATERIAL: | SURFACE/COLOR: | | | |
| | MAT NO./REV: - / 00 | MAT STATUS: 批量 | | | |
| APPD: 蓝美凡 | 2023.03.27 | NAME: | DG200-A-XXP-1Y-00A&Z(H) | | |
| CHKD: 曹利彬 | 2023.03.27 | DRAWING NO: | TYPE: | DRAWING STATUS: | SCALE: |
| DRFT: 姜民浩 | 2023.03.27 | 200170081 | CUSTOMER DRAWING | 已发布 | 1:1 |
| DATE: | 2023.03.27 | | | | SHEET |
| | | | | | 1/1 |

| REV | ECN | DESCRIPTION | DRFT | DATE |
|-----|-----|-------------|------|------------|
| 00 | | | 姜民浩 | 2023.03.27 |

Transfer or duplication of this document as well as the utilization of its contents in any form without the written permission of DEGSON is prohibited. All rights reserved for patent.