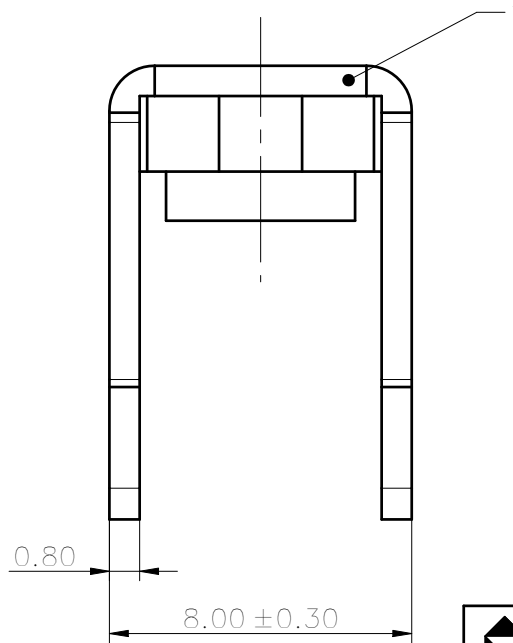
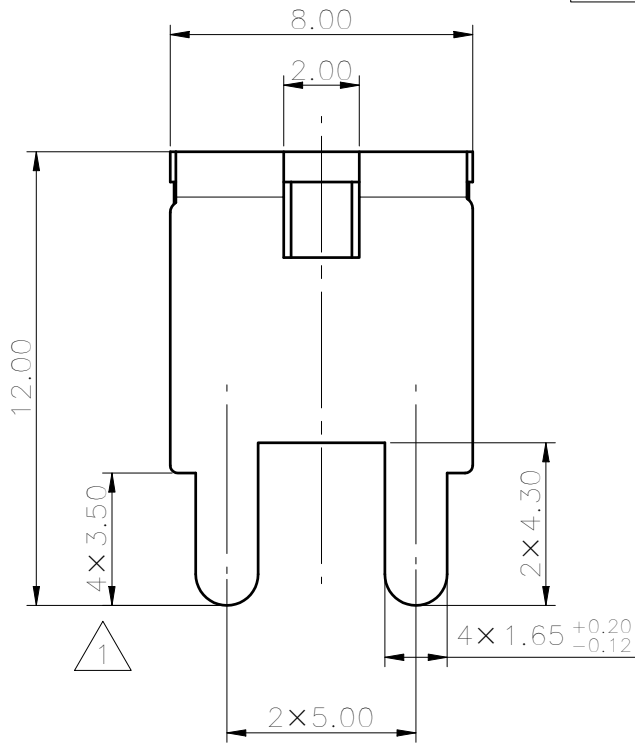
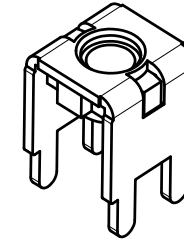
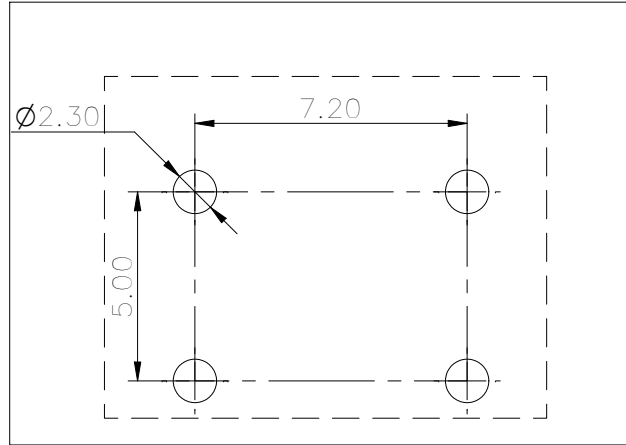
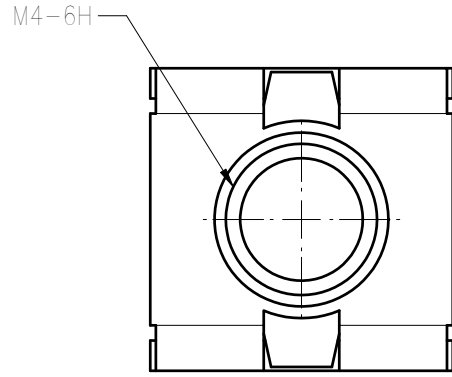


未注公差/General tolerances (mm)													0.1/10	
0	>3	>6	>10	>18	>30	>50	>80	>120	>180	>250	>315	>400		
~3	~6	~10	~18	~30	~50	~80	~120	~180	~250	~315	~400	~500	>500	
±0.12	±0.18	±0.22	±0.26	±0.31	±0.37	±0.57	±0.80	±0.93	±1.05	±1.15	±1.60	±2.20	±2.50	±2'

PCB LAYOUT



ITEM	NAME OF PART	MATERIAL	NOTES
1	Pin header	Copper alloy	Sn Plated
额定电流/Rated Current(A)		50A	
螺丝扭矩/Torque Tightening(N·m/Lb.in)		M4, 1.5/13.28	
符合 RoHS 环保要求/Conform to RoHS		Yes	

<b>DEGSON</b>		MATERIAL: C28000 (H62)/HV120 ±20	SURFACE/COLOR: EP-Cu/Cu2~4um/Ni1um以上/Sn4~8um	
APPD: 蓝贵凡 2023.11.06		MAT NO./REV: 10902000141-1 / 00		
CHKD: 曹利彬 2023.10.28		MAT STATUS: 批量		
DRFT: 姜民洁 2023.10.27		NAME: K145-00A (H)		
DRAWING NO.	TYPE	DRAWING STATUS	SCALE	SHEET
200073933	CUSTOMER DRAWING	已发布	2:1	1/1

REV	ECN	DESCRIPTION	DRFT	DATE
01		焊脚出脚加长	姜民洁	2023.10.27

Transfer or duplication of this document as well as the utilization or summation of its contents are prohibited unless authorized in writing by Degson. All rights reserved for patent, utility model or design registrations. 除专利权明确授权，否则禁止转让、复制、引用、汇编等文件的操作。未经许可擅自复制或发布，侵害权利人合法权益的，公司将依法追究法律责任。