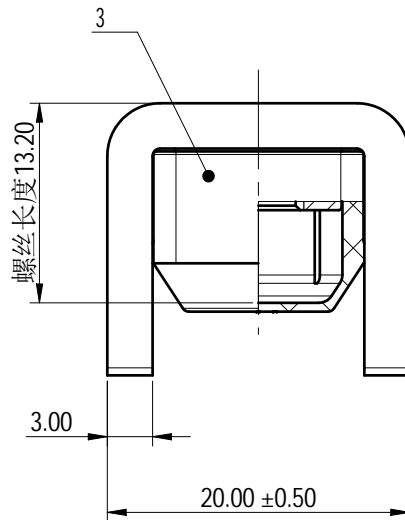
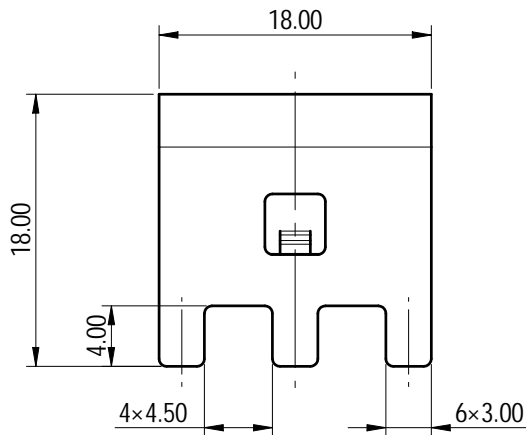
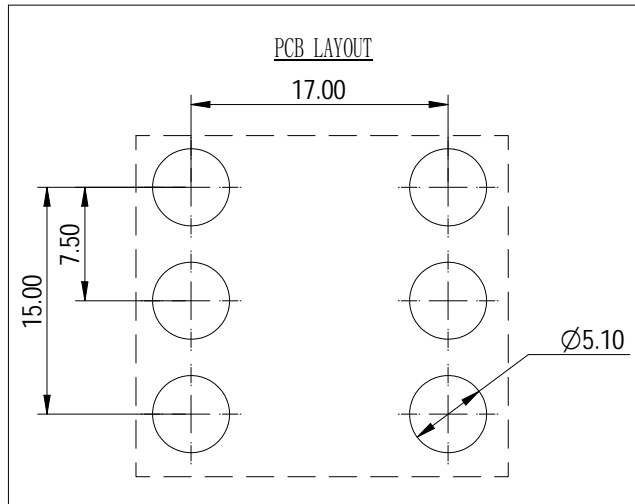
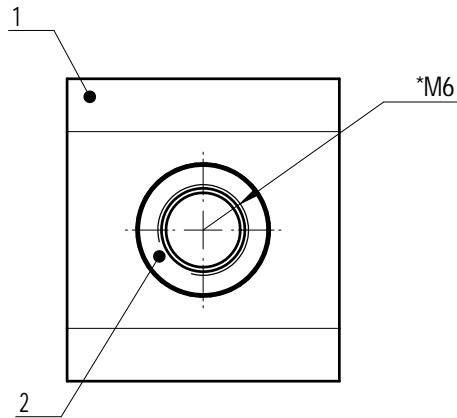


Transfer or duplication of this document as well as the utilization or communication of its contents are prohibited unless expressly permitted. Violations will be treated as copyright infringement. All rights reserved for patent, utility model or design registrations. 除专利等明确授权外，否则禁止转让、复制、引用、交流本文件的内容。未经明确许可，擅自复制或传播本文件内容，将构成侵权。本公司保留对本文件的所有权利。



未注公差/General tolerances (mm)												0.1/10		
0 ~ 3	>3 ~ 6	>6 ~ 10	>10 ~ 18	>18 ~ 30	>30 ~ 50	>50 ~ 80	>80 ~ 120	>120 ~ 180	>180 ~ 250	>250 ~ 315	>315 ~ 400		>400 ~ 500	>500
±0.12	±0.18	±0.22	±0.26	±0.31	±0.37	±0.57	±0.80	±0.93	±1.05	±1.15	±1.60	±2.20	±2.50	±2'

3	Housing	LCP	UL94V-0
2	Nut	Steel	Zn Plated
1	Pin header	Copper	Sn Plated
ITEM	NAME OF PART	MATERIAL	NOTES
额定电流/Rated Current(A)			250A
螺丝扭矩/Torque Tightening(N·m/Lb.in)			M6, 1.98/18.0
符合RoHS环保要求/Conform to RoHS			Yes

		MATERIAL:	SURFACE/COLOR:		
APPD: 蓝贵凡 2023.11.06		MAT NO./REV: 10900000313-1 / 00		MAT STATUS: 批量	
CHKD: 曹利彬 2023.11.06		NAME			
DRFT: 姜民洁 2023.11.06		K41-22A(H)			
REV	ECN	DESCRIPTION	DRFT	DATE	DRAWING NO.
02		修改整件材料	姜民洁	2023.11.06	200197067
					TYPE
					CUSTOMER DRAWING
					DRAWING STATUS
					已发布
					SCALE
					2:1
					SHEET
					1/1

REV	ECN	DESCRIPTION	DRFT	DATE
02		修改整件材料	姜民洁	2023.11.06

