

Notes:

Specifications:

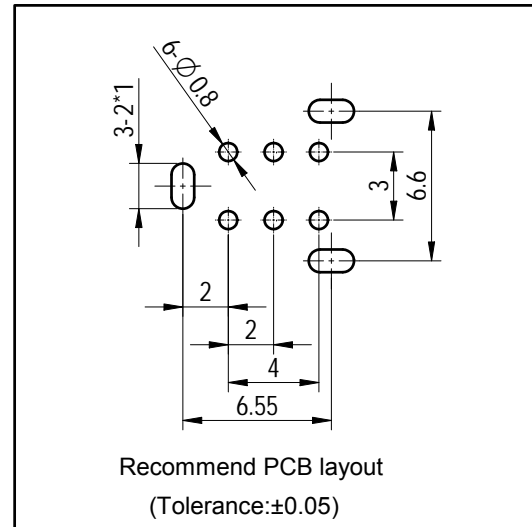
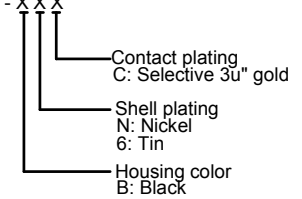
1. Contact Resistance: 30mΩ Max.
2. Insulation Resistance: 100MΩ Min.
3. Dielectric Withstanding Voltage: 500V AC(rms) For 1 Minute.
4. Current Rating:1.5A.
5. Voltage Rating:40V AC/DC.
6. Temperature: -25°C~+85°C.

Materials:

1. Contact Material: Copper Alloy.
2. Contact Plating: Gold&Tin Plating Over Nickel.
3. Insulator Material: PBT,Black,UL94-V0.
4. Shell Material: Copper Alloy, Nickel Plated.

Product Number Code:

DG1100 - X X X



(Series Image-Reference Only)

GENERAL TOLERANCE			MATERIAL:		SURFACE/COLOR:	
X.	±0.60		MAT NO./REV: / 00		MAT STATUS: 批量	
X	±0.38	APPD: 兰春华	2023.08.01	NAME		
XX	±0.25	CHKD: 陈招	2023.08.01	DG1100-XXX		
00	REV	唐本恒	2023.07.31	DRAWING NO.	TYPE	DRAWING STATUS
ECN	DESCRIPTION	DRFT	DATE	200035056	CUSTOMER DRAWING	已发布
		A4		SCALE	SHEET	
		(inch)		1:1	1/1	

Transfer or duplication of this document as well as the utilization or communication of its contents are prohibited without the prior written consent of DEGSON. 未经授权，不得复制或传播本文件内容，否则将承担法律责任。 所有权利保留。 如有侵权，请联系本公司法务部。