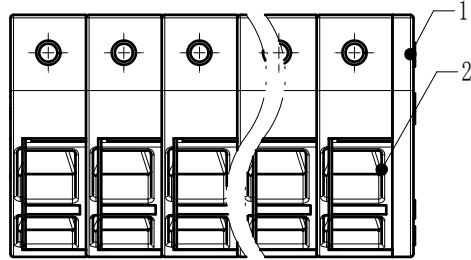
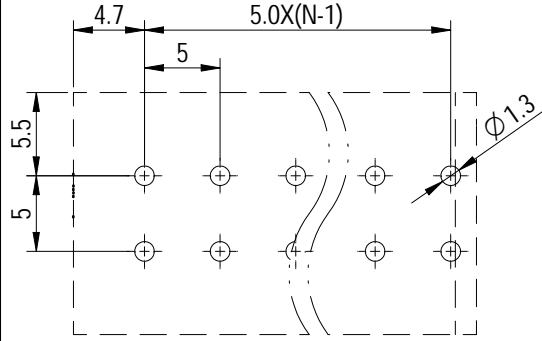


PCB LAYOUT



未注公差/General tolerances (mm)											0.1/10 ±2'		
0	>3	>6	>10	>18	>30	>50	>80	>120	>180	>250		>315	>400
±0.12	±0.18	±0.22	±0.26	±0.31	±0.37	±0.57	±0.80	±0.93	±1.05	±1.15	±1.60	±2.20	±2.50

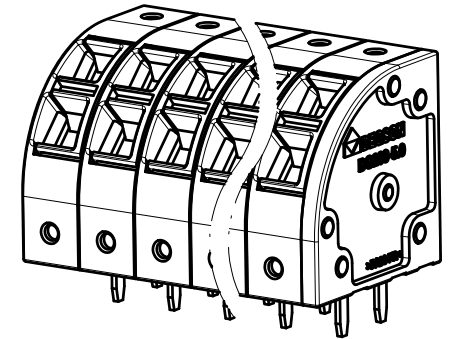
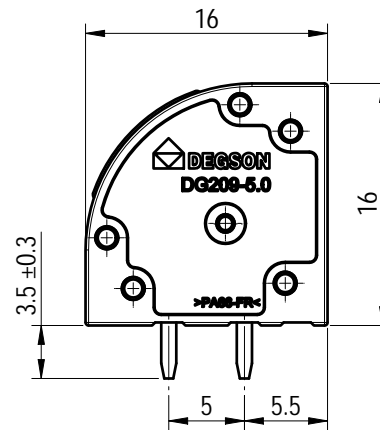
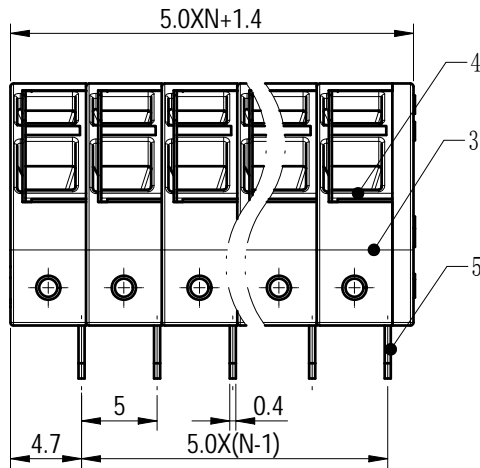
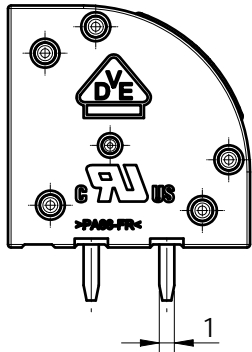
UL 标准/UL Standard:	B	C	D
额定电压/电压/Rated Voltage(V)/Current(A)	300/15	/	300/10
IEC 标准/IEC Standard:			
过压类别/Overvoltage Category/污染等级/Pollution Degree	III/3	III/2	II/2
额定电压/电压/Rated Voltage(V)/Current(A)	320/24	400/24	630/24
额定脉冲电压(KV)/Rate Impulse Voltage(KV)	4	4	4
线径范围(硬线和软线)/Wire Range(rigid and flexible)(AWG/mm²)	24~14 / 0.2~2.5		
间距/Pitch(mm)/线数范围/Poles	5.0/N=02~24P		
剥线长度/Stripping length(mm)	9~10		
使用温度范围/Operating temperature(°C)	-40~+105		
符合RoHS环保要求/Conform to RoHS	Yes		

A

B

C

D



5	Pin header	Copper	Sn Plated
4	Spring	Stainless steel	/
3	Housing	PA66	UL94V-0
2	Button	PA66-GF	UL94V-0
1	Cover	PA66	UL94V-0
ITEM	NAME OF PART	MATERIAL	NOTES

		MATERIAL: /	SURFACE/COLOR: /		
APPD: 兰春华 2024.01.09		MAT NO./REV: - / 00	MAT STATUS: 小批量		
CHKD: 陈招 2024.01.09		NAME			
DRFT: 岑凯 2024.01.09		DG209-5.0-XXP-1Y-00Z (H)			
DRAWING NO.	TYPE	DRAWING STATUS	SCALE	SHEET	
200028076	CUSTOMER DRAWING	已发布	2:1	1/1	

REV	ECN	DESCRIPTION	DRFT	DATE
01		2X新增认证刻字	岑凯	2024.01.09

Transfer or duplication of this document as well as the utilization or communication of its contents are prohibited unless authorized in writing by Degson. All rights reserved for patent, utility model or design registrations. 除专利权明确授权外, 否则禁止转让、复制、引用、交流等文件的传播。 未经公司书面授权, 擅自复制或传播文件内容, 均属于侵权行为, 公司将依法追究。 所有权利保留, 未经许可, 不得复制或传播文件内容。