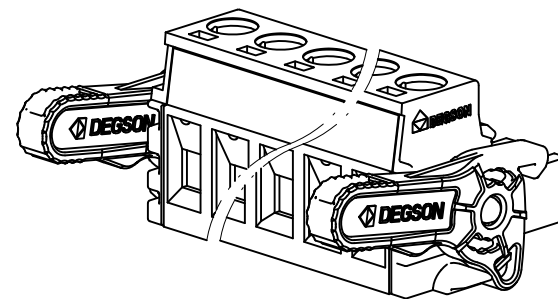
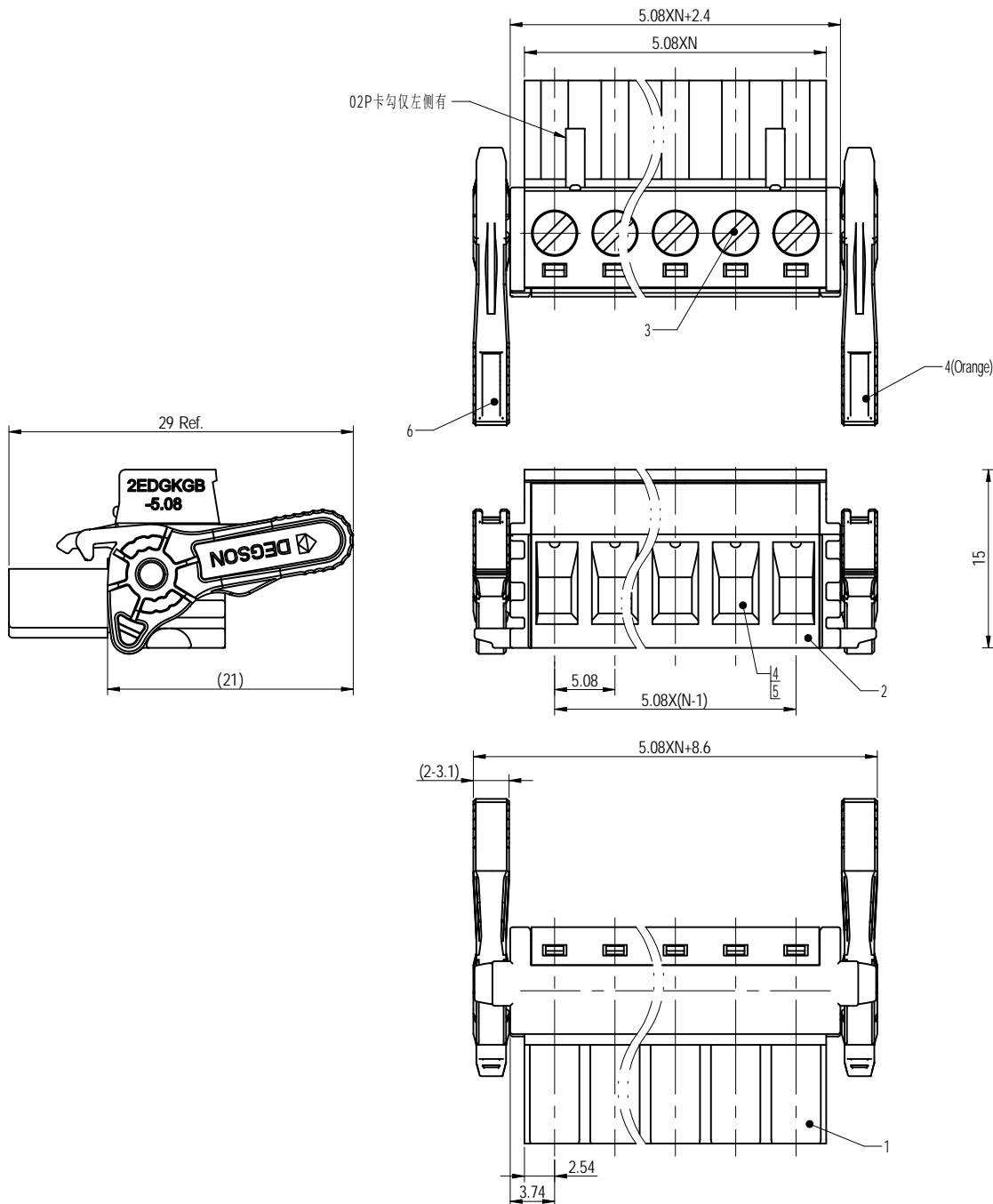


公差/General tolerances (mm)											D 0.1/10			
0	>3	>6	>10	>18	>30	>50	>80	>120	>180	>250		>315	>400	>500
~	3	6	10	18	30	50	80	120	180	250	315	400	500	>2
±0.12	±0.18	±0.22	±0.26	±0.31	±0.37	±0.57	±0.80	±0.93	±1.05	±1.15	±1.60	±2.20	±2.50	



ITEM	NAME OF PART	MATERIAL	NOTES
6	Lever	PA66+GF	UL94V-0
5	Clamp	Copper alloy	Sn plated
4	Cage	Copper alloy	M3/Ni plated
3	Screw	Steel	M3/Zn plated
2	Cover	PA66	UL94V-0
1	Housing	PA66	UL94V-0
UL 标准/UL Standard:			
额定电压/电流/Rated Voltage(V)/Current(A)			B C D
			300/15 / 300/10
IEC 标准/IEC Standard:			
过压类别/Overvoltage Category/污染等级/Pollution Degree			
			III/3 III/2 II/2
额定电压/电流/Rated Voltage(V)/Current(A)			320/12 400/12 630/12
额定脉冲电压(RV)/Rate Impulse Voltage(KV)			4 4 4
螺丝扭矩/Torque Tightening(N·m/Lb.in)			M3: 0.6/5.32
线径范围(硬线和软线)/Wire Range(rigid and flexible)(AWG/mm <sup>2</sup> )			28~12 / 0.2~2.5
间距/Pitch(mm)/线数范围/Poles			5.08/N=02~22P
剥线长度/Stripping length(mm)			7-8
使用温度范围/Operating temperature(°C)			-40~+105
符合RoHS环保要求/Conform to RoHS			Yes

<b>DEGSON</b>		MATERIAL:	SURFACE/COLOR: -		
APPD: 兰春华	2023.11.23	MAT NO./REV: -	/ 00.01	MAT STATUS: 批量	
CHKD: 黄耀志	2023.11.23	NAME: 2EDGKGB-5.08-XXP-1Y-00Z(H)			
DRFT: 方哲盛	2023.11.23	DRAWING NO.	TYPE	DRAWING STATUS	SCALE
		200032472	CUSTOMER DRAWING	已发布	2.5:1
REV	ECN	DESCRIPTION	DRFT	DATE	SHEET
00			方哲盛	2023.11.23	1/1

Transfer or duplication of this document as well as the utilization of its contents without the written permission of DEGSON is prohibited. All rights reserved for patent. 本文件及其中所载之内容，未经DEGSON公司书面许可，不得擅自复制或传播。DEGSON公司保留所有权利。如有侵权，DEGSON公司将依法追究。