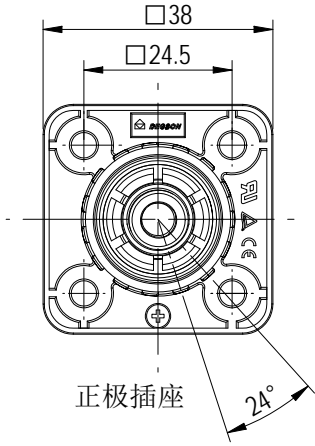
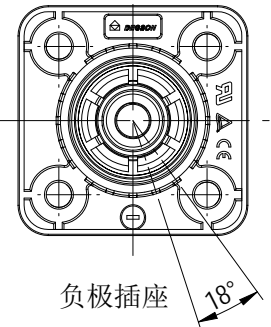


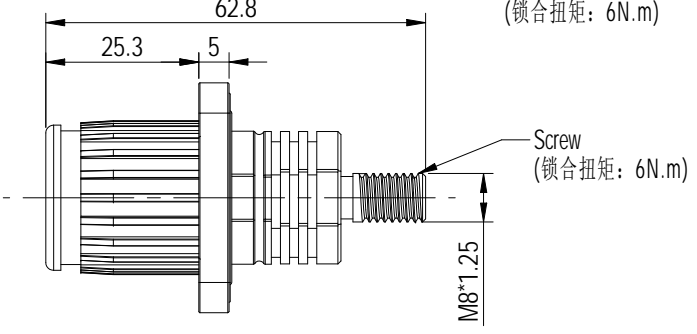
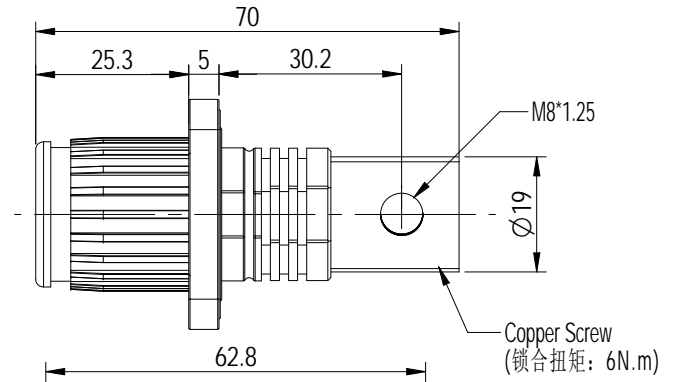
尺寸公差(mm)					0.05/10 ±1'
0	>30	>60	>100	>150	
~30	~60	~100	~150	~>150	
±0.20	±0.30	±0.50	±0.70	±1.00	



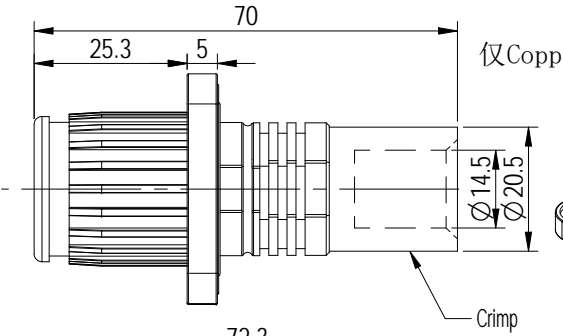
其他接线方式：形式一：



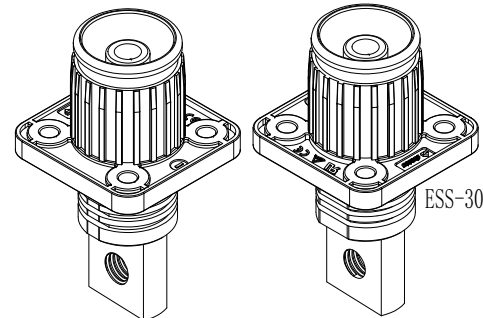
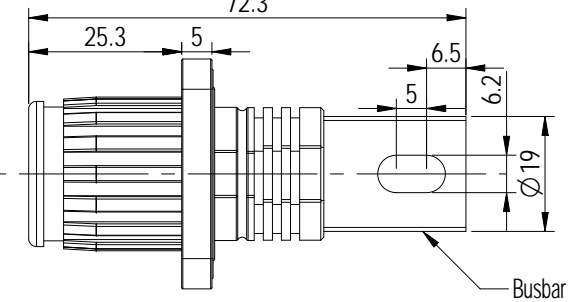
形式二：



仅Copper Screw的形式3D展示：



形式三：

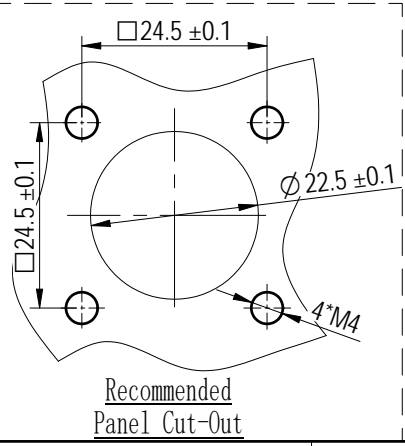


ESS-300A-95-X-XX-00

Color: BK : Black 负极
OR : Orange 正极
RD : Red 正极

Contact Termination: B : Busbar
C : Crimp
S : Screw
B/S : Copper Screw

技术要求/Technical requirements:	
颜色/Color	Black, Orange, Red
锁紧方式/Locking method	卡扣(Buckle)
接线方式/Terminal	Busbar, Screw, Crimp, Copper Screw
外壳材料/Housing material	PA+GF
接触件材料/Connector material	铜合金(Copper alloy)
插入力/Insertion force	100N Max
拔出力/Withdrawal force	>10N
插拔次数/Mechanical working life(mating cycles)	100
安装螺母紧固扭矩/Screw torque	M4/0.4^0.7N.m
接线规格/Wiring specifications	3/0AWG or 95mm²
建议剥线长度/Suggested stripping length	16^18mm (Crimp type)
线径OD/Wire diameter	16^18mm (Crimp type)
额定电压/Rated voltage	1500V DC
额定电流/Rated current	300A
绝缘电阻/Insulate resistance	≥5000Ω (drying)
耐电压/Withstanding voltage	6800V/min
接触电阻/Contact resistance	≤0.5mΩ
过电压等级/Overvoltage category	III
污染等级/Pollution degree	3
防护等级/Ingress protection	IP67 (Mated)
使用温度范围/Operating temperature(°C)	-40^+125(including temperature rise)
盐雾/Salt spray	48H
储存温度/Storage temperature(°C)	-40^+85
阻燃等级/Flame retardant ability	UL94-V0
符合RoHS环保要求/Conform to RoHS	Yes
UL4128认证/UL4128 certification	E526028
TUV认证/TUV certification	50581738



		MATERIAL:	SURFACE/COLOR:		
APPD: 刘剑 2024.01.24		MAT NO./REV:	MAT STATUS:		
CHKD: 于进海 2024.01.21		NAME			
DRFT: 张晓璐 2024.01.17		ESS-300A-95-X-XX-00			
200269914	CUSTOMER DRAWING	DRAWING NO.	TYPE	DRAWING STATUS	SCALE
A4	(inch)	200269914	CUSTOMER DRAWING		1:1
					SHEET 1/1

REV	ECN	DESCRIPTION	DRFT	DATE
01				

Transfer or duplication of this document as well as the utilization or communication of its content are prohibited unless express written permission is granted. Violations will be held for compensation. All rights reserved for patent. 未经授权复制或传播本文件内容，或在本文件基础上进行二次开发、修改、引用、发布等行为均属于侵权行为，一经发现，公司将依法追究。 除专利号外，其他内容均不构成任何权利主张。