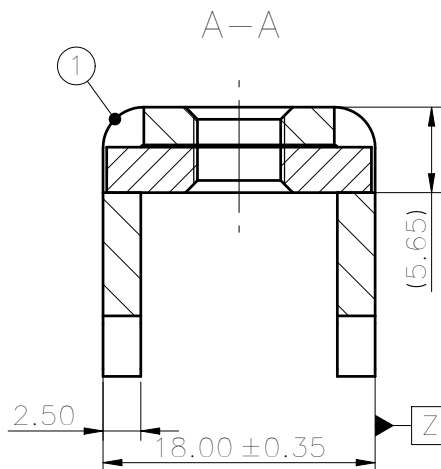
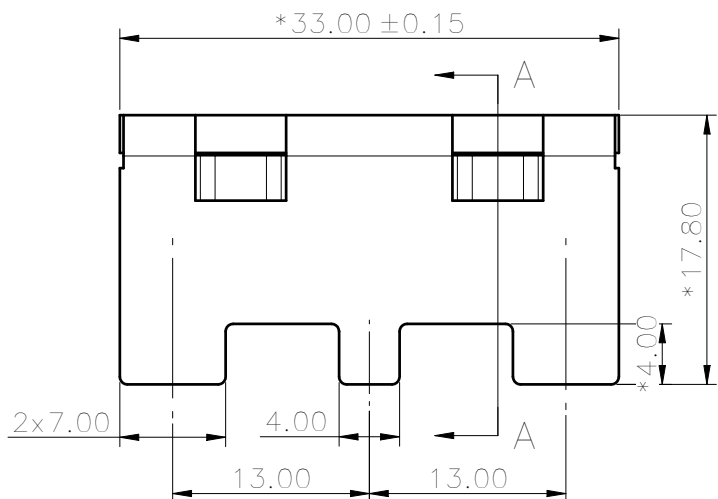
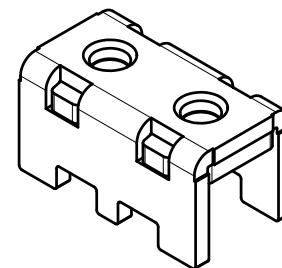
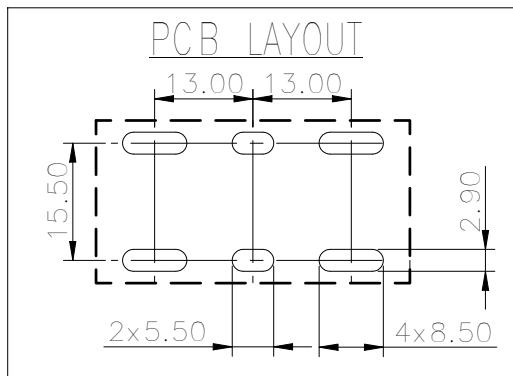
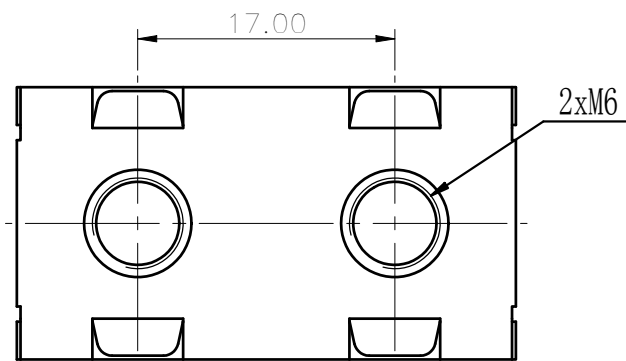


未注公差/General tolerances(mm)											0.1/10 ±2'		
0 ~ 3	>3 ~ 6	>6 ~ 10	>10 ~ 18	>18 ~ 30	>30 ~ 50	>50 ~ 80	>80 ~ 120	>120 ~ 180	>180 ~ 250	>250 ~ 315		>315 ~ 400	>400 ~ 500
±0.12	±0.18	±0.22	±0.26	±0.31	±0.37	±0.57	±0.80	±0.93	±1.05	±1.15	±1.60	±2.20	±2.50



ITEM	NAME OF PART	MATERIAL	NOTES
1	Pin header	Copper alloy	Sn Plated
额定电流/Rated Current(A)		350	
螺丝扭矩/Torque Tightening(N·m/Lb.in)		M6, 4.5/39.9	
符合 RoHS 环保要求/Conform to RoHS		Yes	

DEGSON	
APPD: 蓝贵凡	2024.04.12
CHKD: 曹利彬	2024.04.12
DRFT: 孙科豪	2024.04.12

MATERIAL:		SURFACE/COLOR:	
MAT NO./REV: / 00		MAT STATUS: 批量	
NAME			
K136-00Z (H)			
DRAWING NO.	TYPE	DRAWING STATUS	SCALE
200045315	CUSTOMER DRAWING	已发布	2:1
SHEET		SHEET	
1/1		1/1	

REV	ECN	DESCRIPTION	DRFT	DATE
00				

Transfer or duplication of this document as well as the utilization or communication of its contents are prohibited unless authorized in writing by DEGSON. All rights reserved for patent, utility model or design registrations. 非经书面授权, 严禁禁止转让、复制、利用、交加本文件的内容。一经发现侵权必究, 保留追究法律责任。本公司保留对涉及发明、实用新型和外观设计的所有权利。