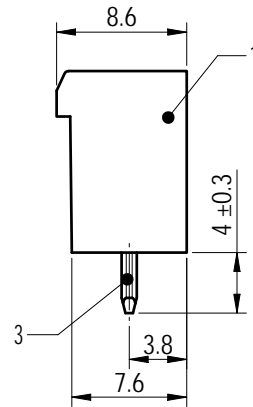
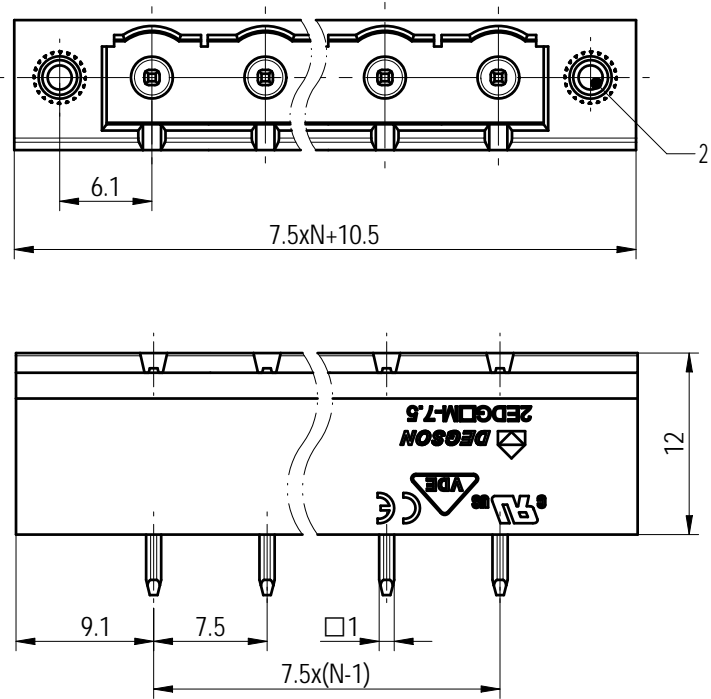
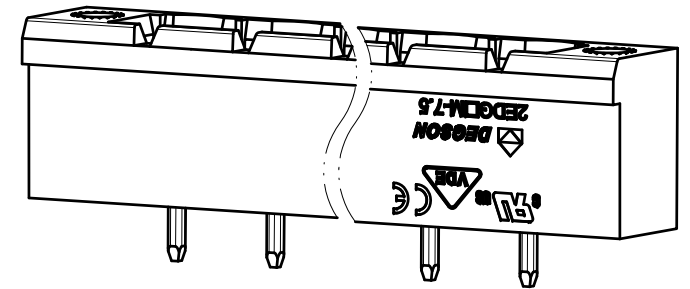
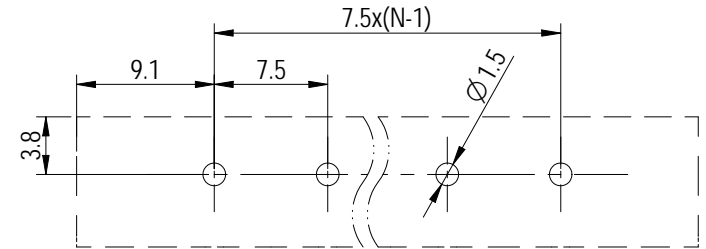


Transfer or duplication of this document as well as the utilization or communication of its content are prohibited unless authorized in writing by the copyright owner. All rights reserved for patent, utility model or design registrations. 除专利、实用新型、外观设计注册外，未经许可，不得复制或传播本文件内容。保留所有权利及发明、实用新型和外观设计的所有权利。



公差/General tolerances (mm)													0.1/10 ±2'	
0	>3	>6	>10	>18	>30	>50	>80	>120	>180	>250	>315	>400		>500
±0.12	±0.18	±0.22	±0.26	±0.31	±0.37	±0.57	±0.80	±0.93	±1.05	±1.15	±1.60	±2.20		±2.50

PCB LAYOUT



Note:
The A&Z(H) in the name means:A(H) and Z(H).

ITEM	NAME OF PART	MATERIAL	NOTES
3	Pin	Copper	Sn Plated
2	Nut	Copper alloy	/
1	Housing	PA66	UL94V-0

UL 标准/UL Standard:		B	C	D
额定电压/电流/Rated Voltage(V)/Current(A)		300/15	/	300/10
IEC 标准/IEC Standard:				
过压类别/Overvoltage Category/污染等级/Pollution Degree		III/3	III/2	II/2
额定电压/电流/Rated Voltage(V)/Current(A)		/	400/20	/
额定脉冲电压(KV)/Rate Impulse Voltage(KV)		/	4	/
间距/Pitch(mm)/线数范围/Poles		7.5/N=02~12P		
使用温度范围/Operating temperature(°C)		-40~+105		
符合RoHS环保要求/Conform to RoHS		Yes		

DEGSON

APPD: 兰春华 2023.03.02
 CHKD: 龚耀志 2023.02.27
 DRFT: 周锡锦 2023.02.24

MATERIAL:		SURFACE/COLOR:		
MAT NO./REV: - / 00		MAT STATUS: 批量		
NAME 2EDGVM-7.5-XXP-1Y-100A&Z(H)				
DRAWING NO. 200124749	TYPE CUSTOMER DRAWING	DRAWING STATUS 已发布	SCALE 2:1	SHEET 1/1

00			周锡锦	2023.02.24	
REV	ECN	DESCRIPTION	DRFT	DATE	图例
					A4