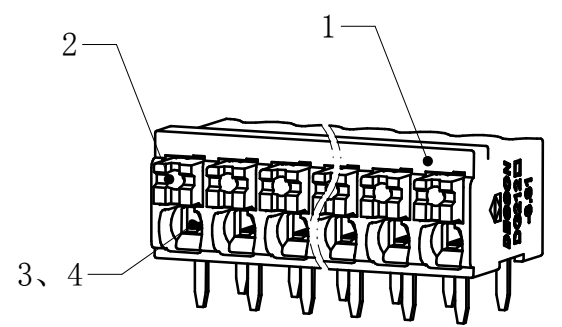
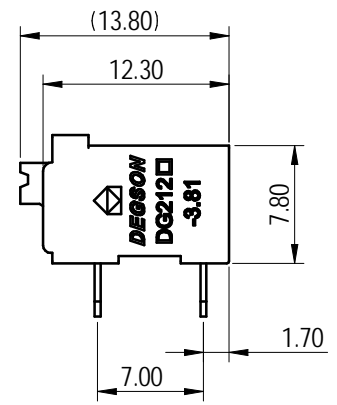
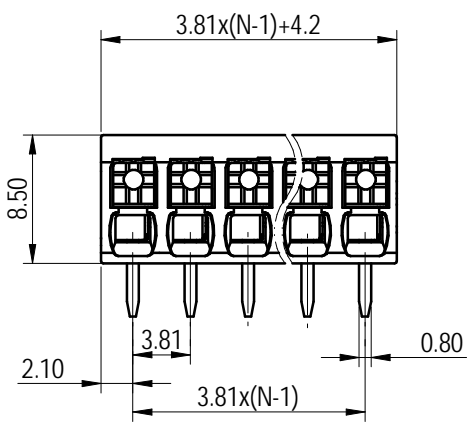
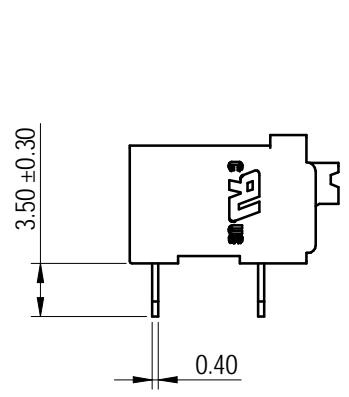
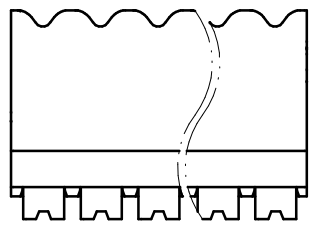
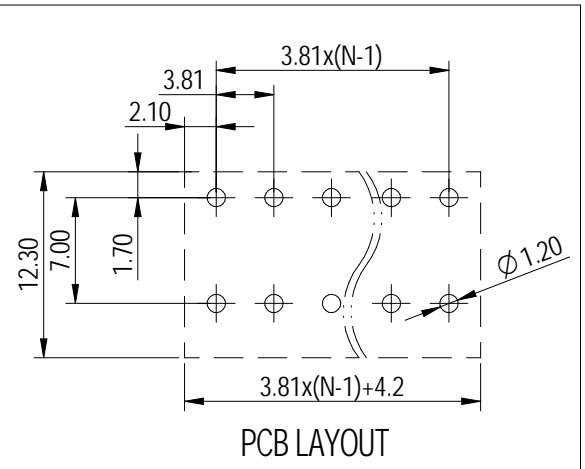


Transfer or duplication of this document as well as the utilization or communication of its contents are prohibited unless authorized in general. Violations will be treated for compensation. All rights reserved for patent. 除专利声明外，其他内容均受专利权的保护。未经授权，禁止复制或传播。未经许可，不得复制或传播。本公司保留对涉及发明、实用新型及外观设计专利的权利。

未注公差/General tolerances (mm)													
0	>3	>6	>10	>18	>30	>50	>80	>120	>180	>250	>315	>400	0.1/10 ±2'
~3	~6	~10	~18	~30	~50	~80	~120	~180	~250	~315	~400	>500	
±0.12	±0.18	±0.22	±0.26	±0.31	±0.37	±0.57	±0.80	±0.93	±1.05	±1.15	±1.60	±2.20	±2.50
UL 标准/UL Standard:										B	C	D	
额定电压/电流/Rated Voltage(V)/Current(A)										300/12	/	300/10	
IEC 标准/IEC Standard:													
过压类别/Overvoltage Category/污染等级/Pollution Degree										III/3	III/2	II/2	
额定电压/电流/Rated Voltage(V)/Current(A)										200/17.5	200/17.5	320/17.5	
额定脉冲电压(KV)/Rate Impulse Voltage(KV)										2.5	2.5	2.5	
线径范围(硬线和软线)/Wire Range(rigid and flexible)(AWG/mm ²)										28~14/ 0.2~1.5			
间距/Pitch(mm)/线数范围/Poles										3.81/N=N=02~16P			
剥线长度/Striping length(mm)										8~9			
使用温度范围/Operating temperature(°C)										-40~+130			
符合 RoHS 环保要求/Conform to RoHS										Yes			



Unmarked dimensions refer to 3D model



Notes: The A&Z(H) in the name means:A(H) and Z(H)

4	Spring	Stainless steel	/
3	Pin header	Copper alloy	Sn plated
2	Button	PA66+GF	UL94V-0
1	Housing	Thermoplastic	UL94V-0
ITEM	NAME OF PART	MATERIAL	NOTES

DEGSON		MATERIAL:	SURFACE/COLOR:		
APPD: 蓝贵凡 2023.05.10		MAT NO./REV: 10060008057-1 / 00.01		MAT STATUS: 批量	
CHKD: 曹利彬 2023.04.19		NAME			
DRFT: 汪德荣 2023.04.19		DG212R-THR-3.81-XXP-1Y-1000A&Z(H)			
DRAWING NO.	TYPE	DRAWING STATUS	SCALE	SHEET	
200118271	CUSTOMER DRAWING	已发布	2:1	1/1	

00			汪德荣	2023.04.19
REV	ECN	DESCRIPTION	DRFT	DATE