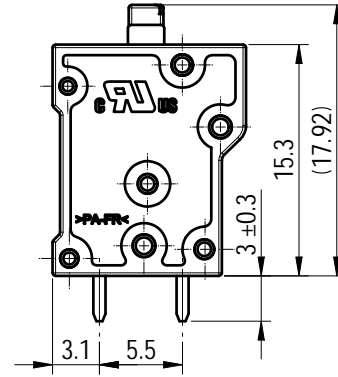
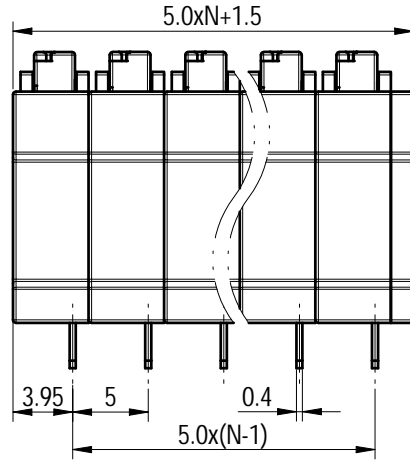
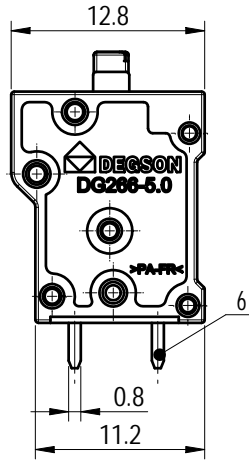
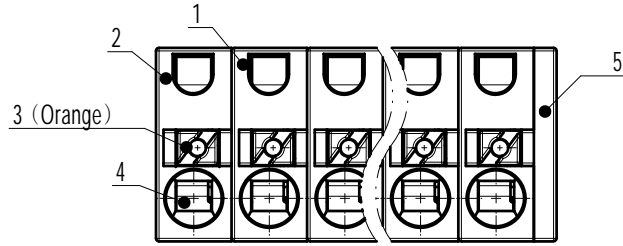
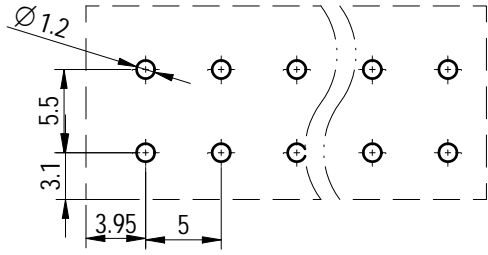
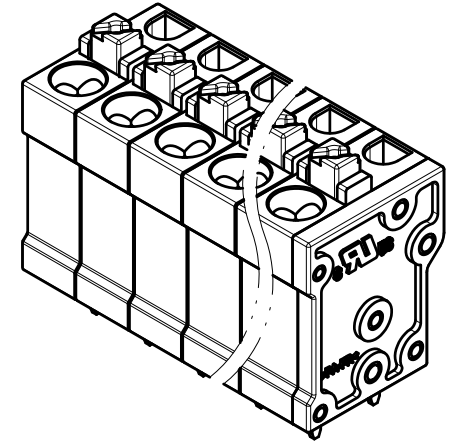


PCB LAYOUT



公差/General tolerances (mm)													0.1/10	
0	>3	>6	>10	>18	>30	>50	>80	>120	>180	>250	>315	>400		>500
±0.12	±0.18	±0.22	±0.26	±0.31	±0.37	±0.57	±0.80	±0.93	±1.05	±1.15	±1.60	±2.20	±2.50	±2'



ITEM	NAME OF PART	MATERIAL	NOTES
6	Pin header	Copper alloy	Sn Plated
5	Cover	PA66	UL94V-0
4	Spring	Stainless steel	/
3	Button	PA66-GF	UL94V-0
2	Side-Housing	PA66	UL94V-0
1	Mid-Housing	PA66	UL94V-0
UL 标准/UL Standard:			
额定电压/电流/Rated Voltage(V)/Current(A)		B	C
		300/10	50/10
IEC 标准/IEC Standard:			
过压类别/Overvoltage Category/污染等级/Pollution Degree		III/3	III/2
		III/2	II/2
额定电压/电流/Rated Voltage(V)/Current(A)		320/10	320/10
		630/10	630/10
额定脉冲电压(KV)/Rate Impulse Voltage(KV)		4	4
线径范围(硬线和软线)/Wire Range(rigid and flexible)(AWG/mm²)		28~16/0.2~1.5	
间距/Pitch(mm)/线数范围/Poles		5.0/N=02~12P	
剥线长度/Stripping length(mm)		10~12	
使用温度范围/Operating temperature(°C)		-40~+105	
符合RoHS环保要求/Conform to RoHS		Yes	

		MATERIAL:	SURFACE/COLOR:		
		MAT NO./REV:	MAT STATUS: 批量		
APPD: 兰春华	2024.04.28	NAME			
CHKD: 陈招	2024.04.28	DG266-5.0-XXP-1Y-00Z(H)			
DRFT: 陈招	2024.04.28	DRAWING NO.	TYPE	DRAWING STATUS	SCALE
		200017018	CUSTOMER DRAWING	已发布	2:1
				SHEET	1/1

REV	ECN	DESCRIPTION	DRFT	DATE
01		1X增加UL刻字	陈招	2024.04.28

Transfer or duplication of this document as well as the utilization or communication of its contents are prohibited unless explicit authorization is granted. Violations will be liable for compensation. All rights reserved for patent, utility model or design registrations. 除非得到明确授权, 否则禁止转让、复制或、利用、交流本文档中的内容。 未经授权擅自复制或传播, 公司将保留追究法律责任的权利。