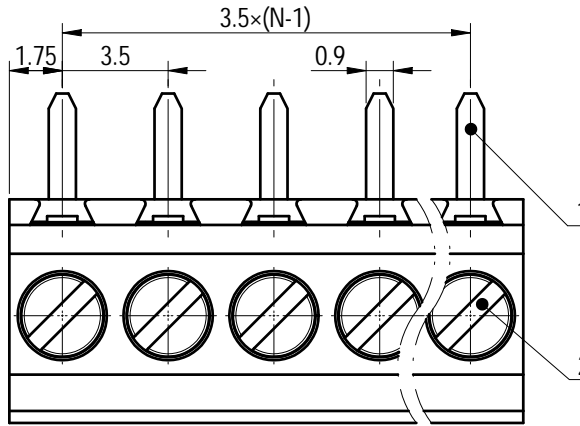
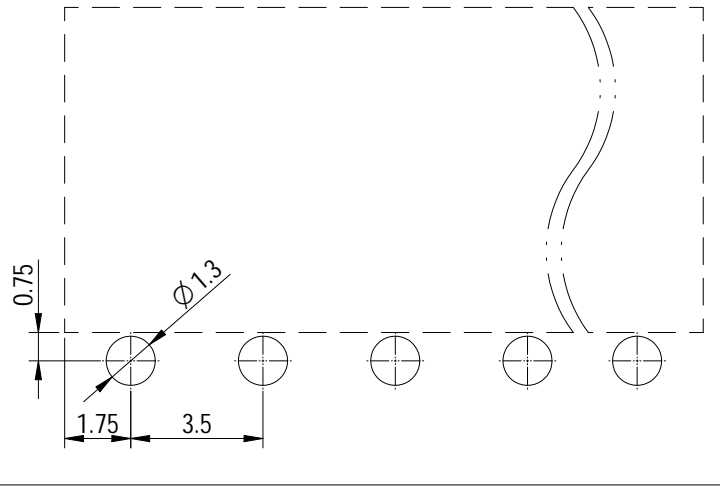
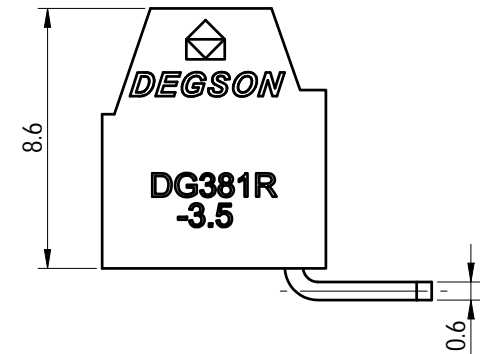
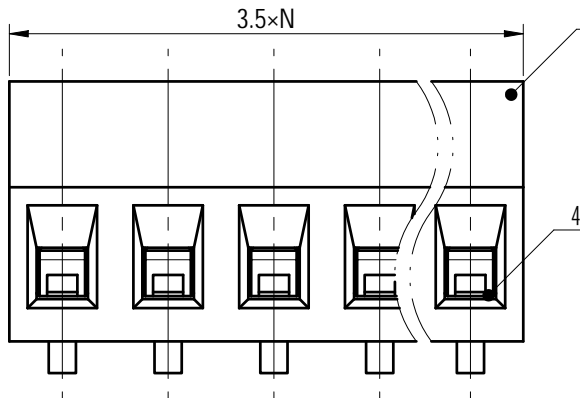
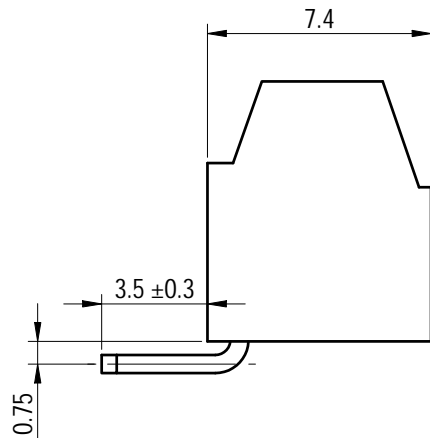


PCB LAYOUT



未注公差/General tolerances (mm)											0.1/10 ±2°		
0	>3	>6	>10	>18	>30	>50	>80	>120	>180	>250		>315	>400
±0.12	±0.18	±0.22	±0.26	±0.31	±0.37	±0.57	±0.80	±0.93	±1.05	±1.15	±1.60	±2.20	±2.50

UL 标准/UL Standard:		B	C	D
额定电压/电流/Rated Voltage(V)/Current(A)		300/10	/	/
IEC 标准/IEC Standard:				
过压类别/Overvoltage Category/污染等级/Pollution Degree		III/3	III/2	II/2
额定电压/电流/Rated Voltage(V)/Current(A)		/	130/10	/
工频耐压/Withstanding Voltage(V/1Min)		AC1250		
螺丝扭矩/Torque Tightening(N·m/Lb.in)		M2, 0.2/1.77		
线径范围(硬线和软线)/Wire Range(rigid and flexible)(AWG/mm²)		26~16 / 0.5~1.0		
间距/Pitch(mm)/线数范围/Poles		3.5/N=02~24P		
剥线长度/Stripping length(mm)		5~6		
使用温度范围/Operating temperature(°C)		-40~+105		
符合RoHS环保要求/Conform to RoHS		Yes		
4	Cage	Copper alloy	M2/Ni plated	
3	Housing	PA66	UL94V-0	
2	Screw	Steel	M2/Zn plated	
1	Pin header	Copper alloy	Sn plated	
ITEM	NAME OF PART	MATERIAL	NOTES	



		MATERIAL:		SURFACE/COLOR:	
		MAT NO./REV: / 00		MAT STATUS: work	
APPD:		NAME			
CHKD:		DG381R-3.5-XXP-1Y-80Z (H)			
DRFT:	唐本恒	2024.05.09	DRAWING NO.	TYPE	DRAWING STATUS
			200036925	CUSTOMER DRAWING	work
				SCALE	SHEET
				4:1	1/1

REV	ECN	DESCRIPTION	DRFT	DATE
00				

Transfer or duplication of this document as well as the utilization or communication of its contents are prohibited unless explicit authorization is granted. Violations will be liable for compensation. All rights reserved for patent, utility model or design registrations. 除本册注明情况外, 复制或传播本册内容, 未经许可均属侵权, 否则将承担相关法律责任。 本公司保留所有权利, 未经许可, 不得复制或传播本册内容。