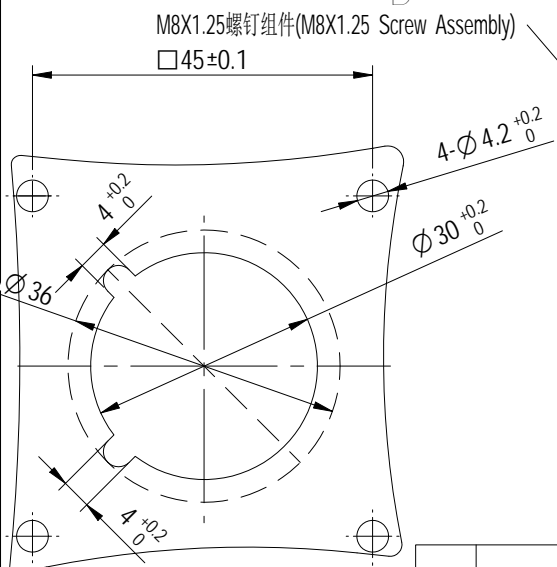
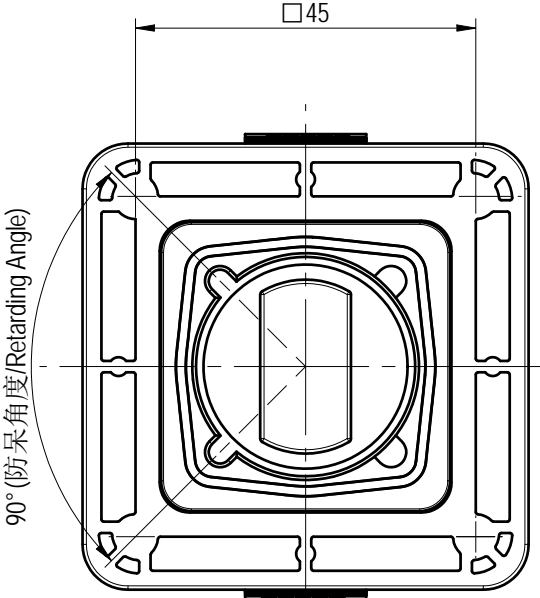
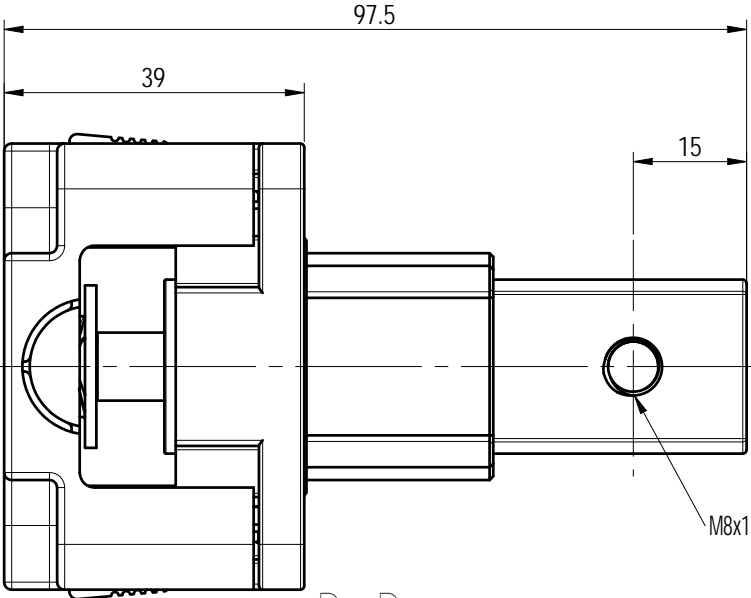
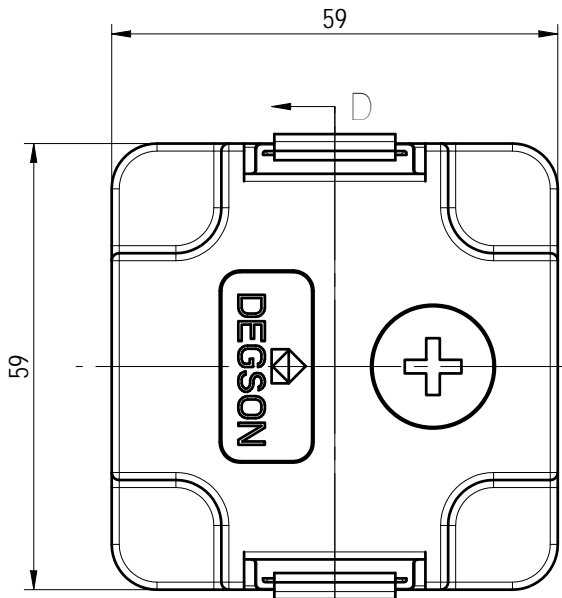
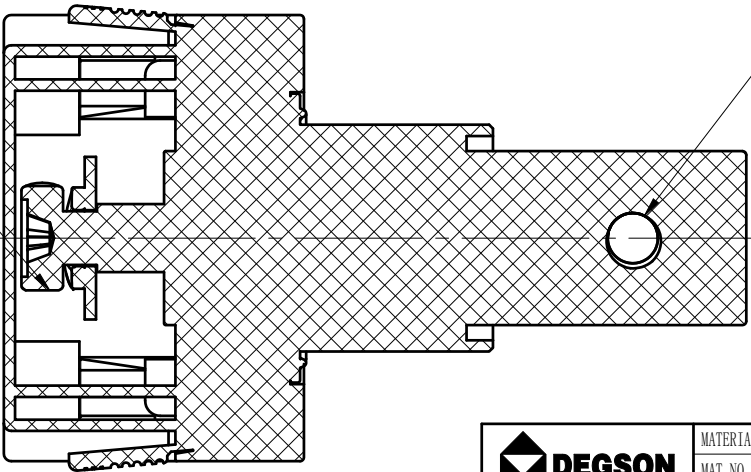


尺寸公差(mm)					0.05/10 ±1'
0	>30	>60	>100	>150	
~30	~60	~100	~150	~>150	
±0.30	±0.40	±0.55	±0.80	±1.10	



M8X1.25螺钉组件(M8X1.25 Screw Assembly)  
□45±0.1

锁铜排扭矩:6N.m  
Copper Bar Locking Torque: 6N.m



额定电压电流/Rated Voltage/Current	1500V/600A
绝缘电阻/Insulation Resistance	≥5000MΩ
接线方式/Terminal	Copper Screw
锁板扭矩/Lock Plate Torque(N.m)	0.4~0.7
铜排锁合扭矩/Copper Bar Locking Torque (N.m)	6
防护等级/Levels Of Protection	IP67(锁板后)
使用温度范围/Operating Temperature	-40~+125 °C
符合RoHS要求/Conform To RoHS	Yes

DEGSON		MATERIAL: 材质	SURFACE/COLOR: 表面处理
APPD: 核准人	核准日期	MAT NO./REV: 物料编码 / 版本	MAT STATUS: 物料状态
CHKD: 审核人	审核日期	NAME: EGD-600A-B250-B/S-OR-01	
DRFT: ShangY	2024.04.08	DRAWING NO. 图号	TYPE 图纸类型
REV	ECN	DESCRIPTION	DRAWING STATUS 图纸状态
DRFT	DATE	SCALE 1:1	SHEET 1/1

Transfer or duplication of this document as well as the utilization or communication of its content are prohibited unless authorized in writing by DEGSON. All rights reserved for patent. 未经授权，禁止复制或传播本文件内容。保留所有权利。DEGSON 保留所有权利。