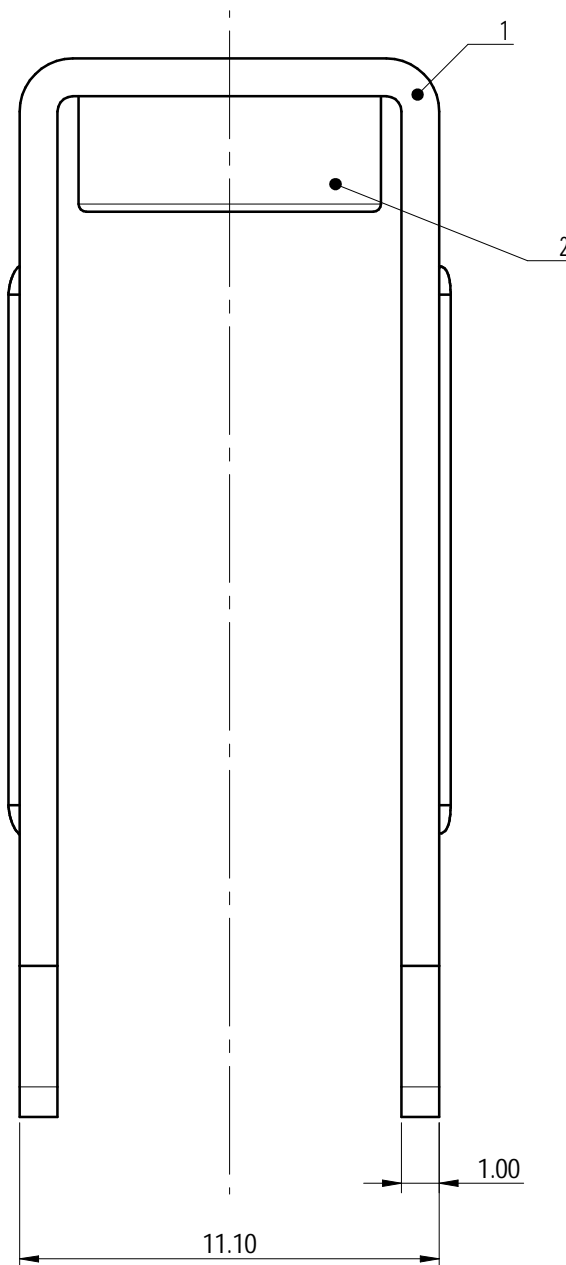
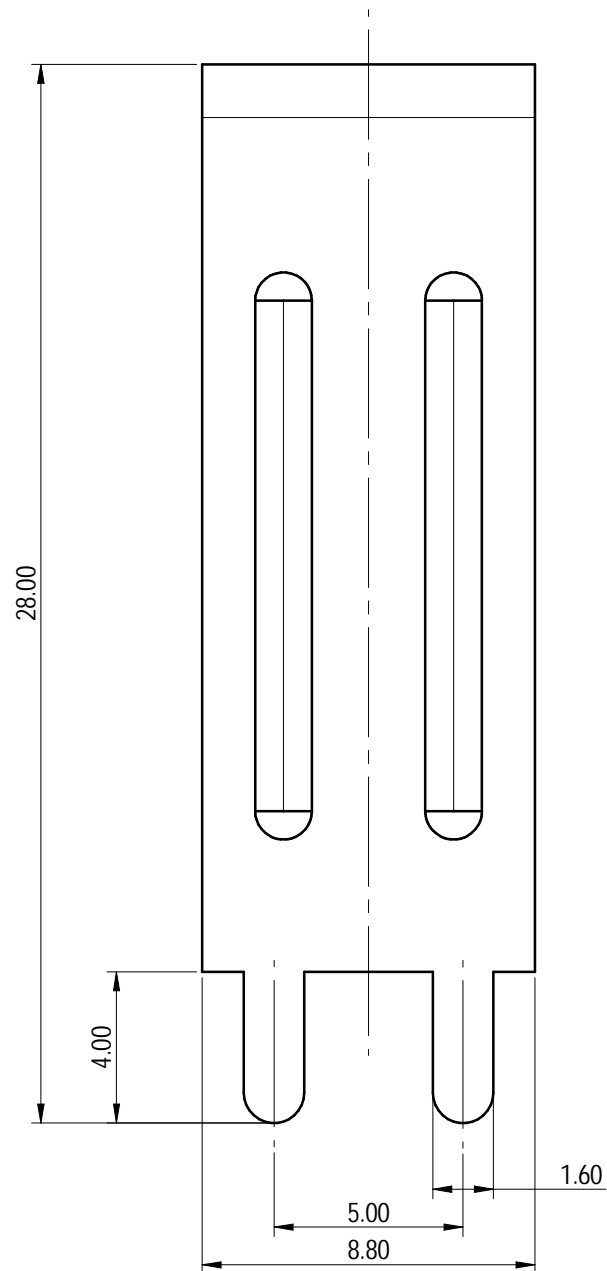
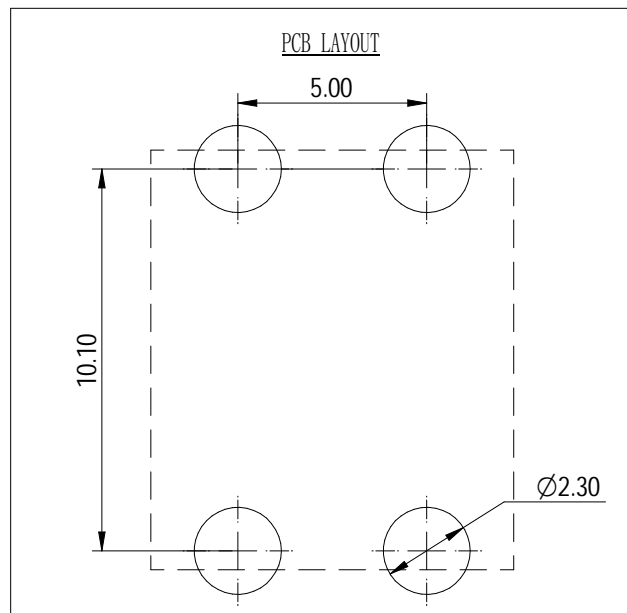
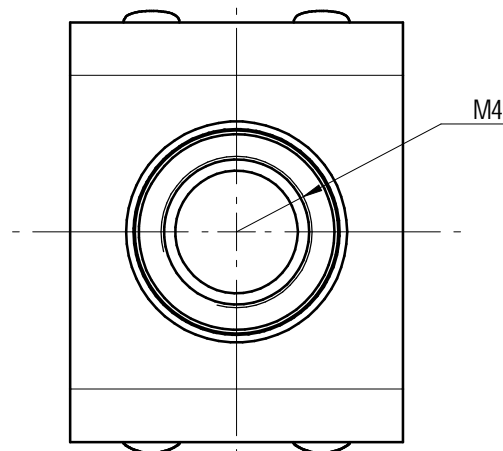


未注公差/General tolerances (mm)											0.1/10 ±2'		
0 ~ 3	>3 ~ 6	>6 ~ 10	>10 ~ 18	>18 ~ 30	>30 ~ 50	>50 ~ 80	>80 ~ 120	>120 ~ 180	>180 ~ 250	>250 ~ 315		>315 ~ 400	>400 ~ 500
±0.12	±0.18	±0.22	±0.26	±0.31	±0.37	±0.57	±0.80	±0.93	±1.05	±1.15	±1.60	±2.20	±2.50



Note: The A&Z(H) in the name means: A(H) and Z(H).

ITEM	NAME OF PART	MATERIAL	NOTES
2	Nut	Steel	Zn Plated
1	Pin header	Copper alloy	Sn Plated
额定电流/Rated Current(A)			63
螺丝扭矩/Torque Tightening(N·m/Lb.in)			M4, 1.8/15.8
符合RoHS环保要求/Conform to RoHS			Yes

<b>DEGSON</b>		MATERIAL:	SURFACE/COLOR:				
APPD: 蓝贵凡	2024.03.11	MAT NO./REV: 10900000157-1 / 00	MAT STATUS: 批量				
CHKD: 曹利彬	2024.03.02	NAME					
DRFT: 委民洁	2024.02.29	K115-00A&Z(H)					
REV	ECN	DESCRIPTION	DRAWING NO.	TYPE	DRAWING STATUS	SCALE	SHEET
00			200270568	CUSTOMER DRAWING	已发布	5:1	1/1

REV	ECN	DESCRIPTION	DRFT	DATE	比例 (inch)	DRAWING NO.	TYPE	DRAWING STATUS	SCALE	SHEET
00			委民洁	2024.02.29	1:1	200270568	CUSTOMER DRAWING	已发布	5:1	1/1

Transfer or duplication of this document as well as the utilization or communication of its contents are prohibited unless explicit authorization is granted. Violations will be liable for compensation. All rights reserved for patent. 复制或传播本文件以及其内容之利用或沟通均须经本公司明确授权。未经授权擅自复制或传播本文件，公司将依法追究法律责任。本公司保留所有权利。