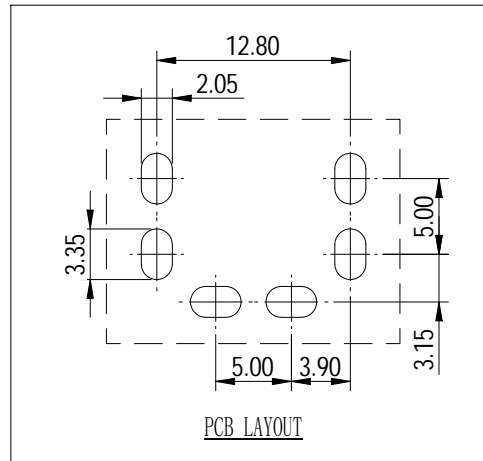
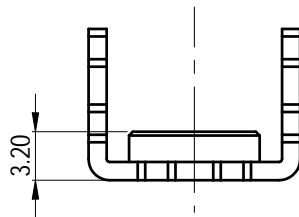
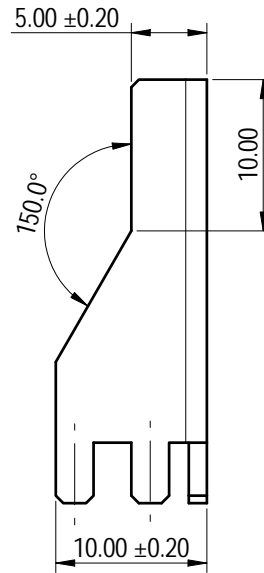
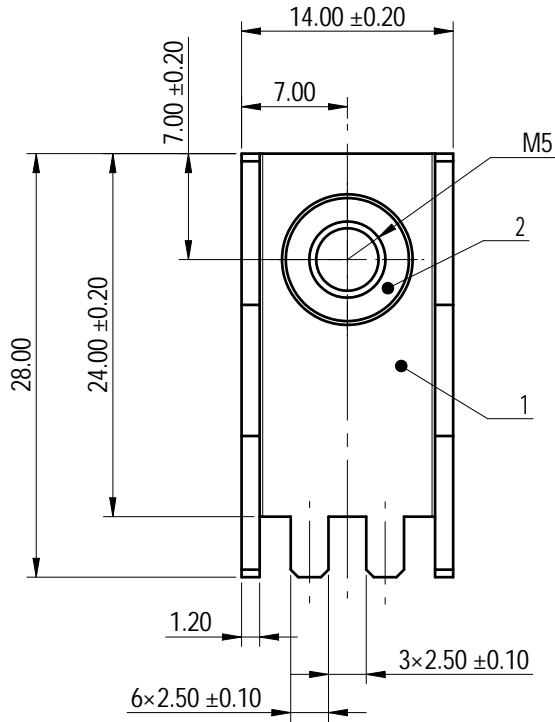


Transfer or duplication of this document as well as the utilization or communication of its contents are prohibited unless authorized in writing by Degson. All rights reserved for patent. 未经授权复制或传播本文件内容，或在本文件基础上进行二次开发，均属于侵权行为。本公司保留对涉及发明、实用新型及外观设计专利的所有权利。

| 未注公差/General tolerances (mm) |        |         |          |          |          |          |           |            |            |            |            |            | 0.1/10 |      |
|------------------------------|--------|---------|----------|----------|----------|----------|-----------|------------|------------|------------|------------|------------|--------|------|
| 0 ~ 3                        | >3 ~ 6 | >6 ~ 10 | >10 ~ 18 | >18 ~ 30 | >30 ~ 50 | >50 ~ 80 | >80 ~ 120 | >120 ~ 180 | >180 ~ 250 | >250 ~ 315 | >315 ~ 400 | >400 ~ 500 |        | >500 |
| ±0.12                        | ±0.18  | ±0.22   | ±0.26    | ±0.31    | ±0.37    | ±0.57    | ±0.80     | ±0.93      | ±1.05      | ±1.15      | ±1.60      | ±2.20      | ±2.50  | ±2'  |



Note: The A&Z(H) in the name means: A(H) and Z(H).

| 2                                 | Nut          | Steel    | ZnNi Plated  |
|-----------------------------------|--------------|----------|--------------|
| 1                                 | Pin header   | Copper   | Sn Plated    |
| ITEM                              | NAME OF PART | MATERIAL | NOTES        |
| 额定电流/Rated Current(A)             |              |          | 110          |
| 螺丝扭矩/Torque Tightening(N·m/Lb.in) |              |          | M5, 2.0/17.6 |
| 符合RoHS环保要求/Conform to RoHS        |              |          | Yes          |

|           |            |                                 |      |                |             |                  |                |       |       |
|-----------|------------|---------------------------------|------|----------------|-------------|------------------|----------------|-------|-------|
|           |            | MATERIAL:                       |      | SURFACE/COLOR: |             |                  |                |       |       |
|           |            | MAT NO./REV: 10900000331-1 / 00 |      | MAT STATUS: 批量 |             |                  |                |       |       |
| APPD: 蓝贵凡 | 2023.08.21 | NAME                            |      |                |             |                  |                |       |       |
| CHKD: 曹利彬 | 2023.08.20 | K151-00A&Z(H)                   |      |                |             |                  |                |       |       |
| DRFT: 姜民洁 | 2023.08.18 |                                 |      |                |             |                  |                |       |       |
| REV       | ECN        | DESCRIPTION                     | DRFT | DATE           | DRAWING NO. | TYPE             | DRAWING STATUS | SCALE | SHEET |
| 00        |            |                                 | 姜民洁  | 2023.08.18     | 200208628   | CUSTOMER DRAWING | 已发布            | 2:1   | 1/1   |