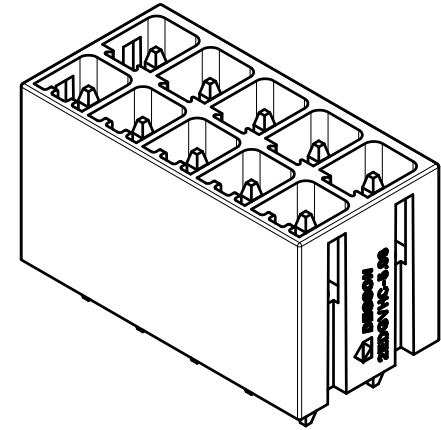
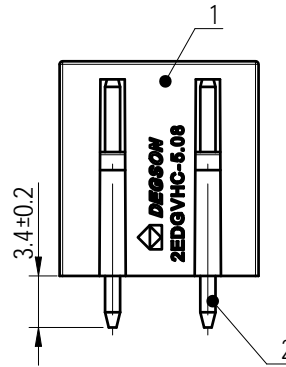
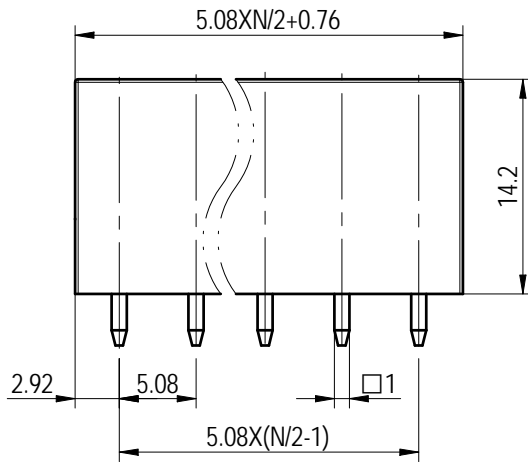
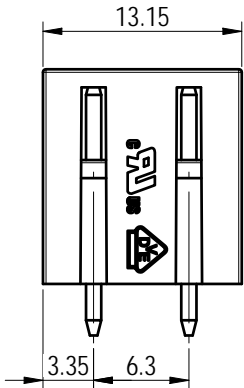
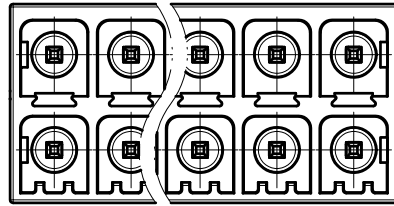
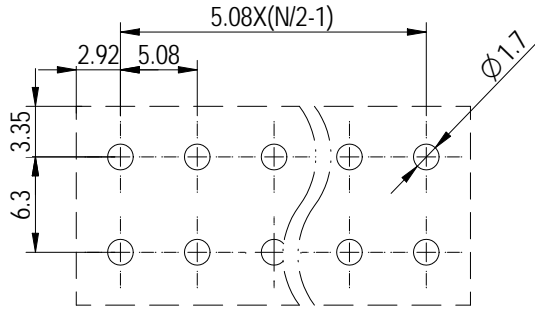


PCB LAYOUT



未注公差/General tolerances (mm)													0.1/10	
0	>3	>6	>10	>18	>30	>50	>80	>120	>180	>250	>315	>400		>500
±0.12	±0.18	±0.22	±0.26	±0.31	±0.37	±0.57	±0.80	±0.93	±1.05	±1.15	±1.60	±2.20	±2.50	±2'
2	pin			Copper				Sn plated						
1	Housing			Thermoplastic									UL94V-0	
ITEM	NAME OF PART			MATERIAL				NOTES						

UL 标准/UL Standard:	B	C	D
额定电压/电流/Rated Voltage(V)/Current(A)	300V/10	/	300/10
IEC 标准/IEC Standard:			
过压类别/Overvoltage Category/污染等级/Pollution Degree	III/3	III/2	II/2
额定电压/电流/Rated Voltage(V)/Current(A)	250/8	400/8	630/8
额定脉冲电压(KV)/Rate Impulse Voltage(KV)	4	4	4
间距/Pitch(mm)/线数范围/Poles	5.08/N=04-36P		
使用温度范围/Operating temperature(°C)	-40~+120		
符合RoHS环保要求/Conform to RoHS	Yes		

**DEGSON**

APPD: 兰春华 2024.04.18  
 CHKD: 张玉华 2024.04.12  
 DRFT: 申玉堂 2024.04.12

NAME: 2EDGVHC-5.08-XXP-1Y-00Z (H)

DRAWING NO. 200237888 TYPE CUSTOMER DRAWING DRAWING STATUS 已发布 SCALE 2:1 SHEET 1/1

REV	ECN	DESCRIPTION	DRFT	DATE
00			申玉堂	2024.04.12

Transfer or duplication of this document as well as the utilization or communication of its content are prohibited unless authorized in writing by Degson. All rights reserved for patent. 未经授权，禁止复制或传播本文件内容。如有侵权，请联系 Degson 公司。Degson 保留所有权利。