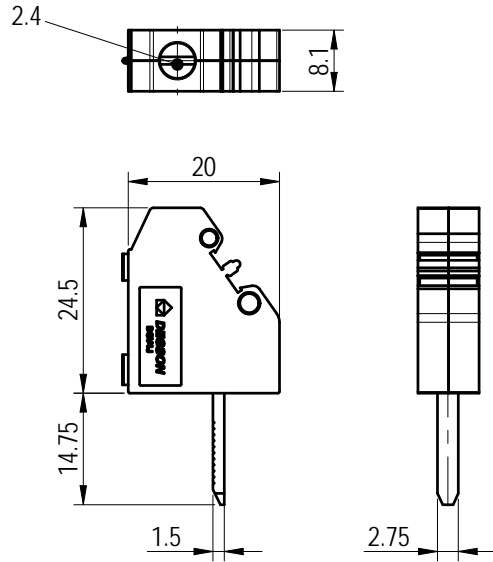
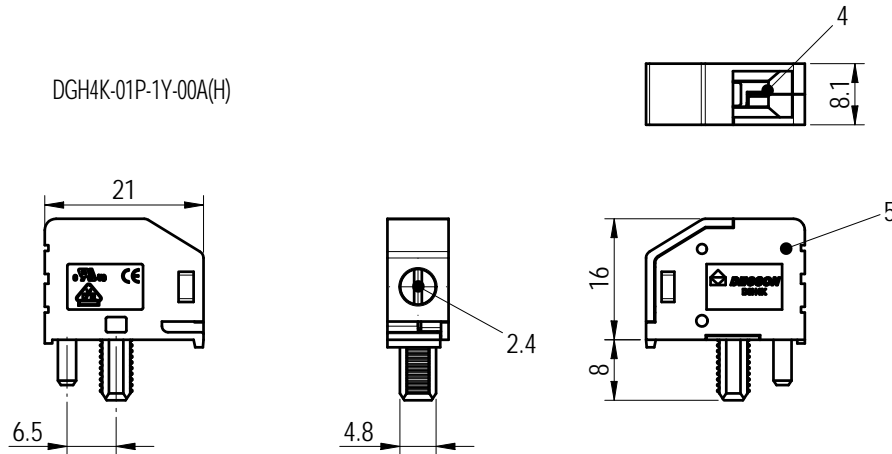


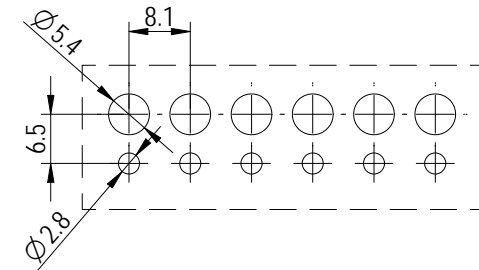
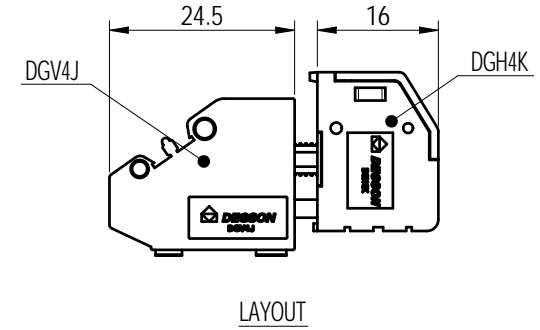
DGV4J-01P-1Y-00A(H)



DGH4K-01P-1Y-00A(H)



未注公差/General tolerances (mm)												0.1/10 ±2'	
0	>3	>6	>10	>18	>30	>50	>80	>120	>180	>250	>315		>400
±0.12	±0.18	±0.22	±0.26	±0.31	±0.37	±0.57	±0.80	±0.93	±1.05	±1.15	±1.60	±2.20	±2.50



ITEM	NAME OF PART	MATERIAL	NOTES
5	Housing2	PA66	UL94V-0
4	Cage	Copper alloy	M3/Ni Plated
3	Current Carrier	Copper	M3/Sn Plated
2	Screw	Copper alloy	M3/Sn Plated
1	Housing1	PA66	UL94V-0

UL 标准/UL Standard:	B	C	D
额定电压/电压/Rated Voltage(V)/Current(A)	300/30	/	/
IEC 标准/IEC Standard:			
过压类别/Overvoltage Category/污染等级/Pollution Degree	III/3	III/2	II/2
额定电压/电压/Rated Voltage(V)/Current(A)	400/41	/	/
额定脉冲电压(KV)/Rate Impulse Voltage(KV)	6	/	/
螺丝扭矩/Torque Tightening(N·m/Lb.in)	M3, 0.5/4.43		
线径范围(硬线和软线)/Wire Range(rigid and flexible)(AWG/mm <sup>2</sup> )	30~10 / 0.2~6		
间距/Pitch(mm)/线数范围/Poles	8.1/N=01P		
剥线长度/Stripping length(mm)	9		
使用温度范围/Operating temperature(°C)	-40~+105		
符合 RoHS 环保要求/Conform to RoHS	Yes		

		MATERIAL:	SURFACE/COLOR:						
		MAT NO./REV:	MAT STATUS: 批量						
APPD: 兰春华	2023.11.06	NAME							
CHKD: 张玉华	2023.11.04	DGV4-01P-1Y-00Z (H)							
DRFT: 申玉堂	2023.11.03								
00	ECN	DESCRIPTION	DRFT	DATE	DRAWING NO.	TYPE	DRAWING STATUS	SCALE	SHEET
200018329			申玉堂	2023.11.03	200018329	CUSTOMER DRAWING	已发布	2:1	1/1

Transfer or duplication of this document as well as the utilization or communication of its content are prohibited unless authorized in writing by Degson. All rights reserved for patent, utility model or design registrations. 除专利、商标、实用新型、外观设计、发明专利等权利外，本公司保留对涉及发明、实用新型、外观设计、发明专利等权利的所有权利。