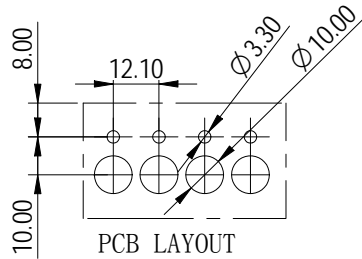
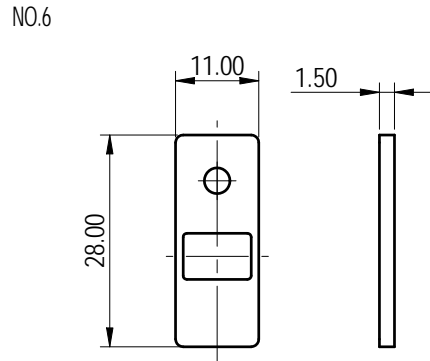
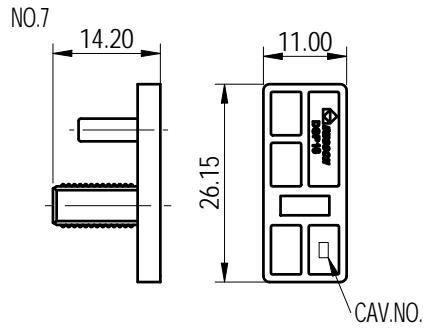
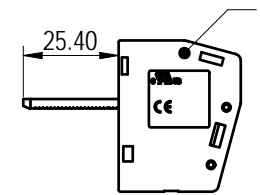
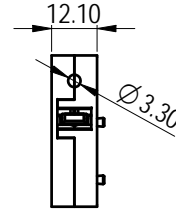
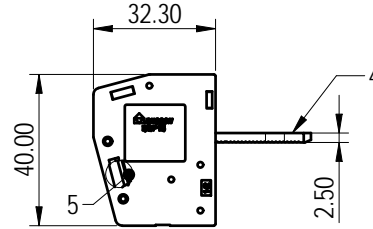
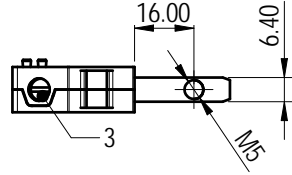


Board(1-6mm)



DGP16J-01P-1Y-00A&Z(H)

未注公差/General tolerances (mm)											0.1/10		
0	>3	>6	>10	>18	>30	>50	>80	>120	>180	>250		>315	>400
±0.12	±0.18	±0.22	±0.26	±0.31	±0.37	±0.57	±0.80	±0.93	±1.05	±1.15	±1.60	±2.20	±2.50



Note: The A&Z(H) in the name means: A(H) and Z(H).

ITEM	NAME OF PART	MATERIAL	NOTES
9	Lock Washer	Steel	Zn Plated
8	Screw2	Steel	Zn Plated
7	Housing3	PA66	UL94V-0
6	Antivibration Pad	EVA	Black
5	Cage	Copper alloy	Ni Plated
4	Current Carrier	Copper	Sn Plated
3	Screw1	Copper alloy	Sn Plated
2	Housing2	PA66	UL94V-0
1	Housing1	PA66	UL94V-0

UL 标准/UL Standard:	B	C	D
额定电压/电流/Rated Voltage(V)/Current(A)	600/85	600/85	600/5
IEC 标准/IEC Standard:			
过压类别/Overvoltage Category/污染等级/Pollution Degree	III/3	III/2	II/2
额定电压/电流/Rated Voltage(V)/Current(A)	500/76	/	/
额定脉冲电压(KV)/Rate Impulse Voltage(KV)	6	/	/
螺丝扭矩/Torque Tightening(N·m/Lb.in)	M5, 2.0/17.54		
线径范围(硬线和软线)/Wire Range(rigid and flexible)(AWG)	20~4		
间距/Pitch(mm)/线数范围/Poles	12.1/N=01P		
剥线长度/Stripping length(mm)	16		
使用温度范围/Operating temperature(°C)	-40~+105		
符合RoHS环保要求/Conform to RoHS	Yes		



MATERIAL:	SURFACE/COLOR:
MAT NO./REV: / 00	MAT STATUS: 批量

APPD: 蓝贵凡	2022.12.06
CHKD: 曹利彬	2022.12.06
DRFT: 孙科豪	2022.12.06

NAME				
DGP16-01P-1Y-00A&Z(H)				
DRAWING NO.	TYPE	DRAWING STATUS	SCALE	SHEET
200124097	CUSTOMER DRAWING	已发布	1:2	1/1

REV	ECN	DESCRIPTION	DRFT	DATE
00				

Transfer or duplication of this document as well as the utilization or communication of its contents are prohibited unless authorized in writing by the copyright owner. All rights reserved for patent, utility model or design registrations. 除专利、实用新型、外观设计、软件著作权等权利外，其他权利均归权利人所有。未经许可，不得复制或传播本文件内容。 未经授权，不得复制或传播本文件内容。 其他权利均归权利人所有。