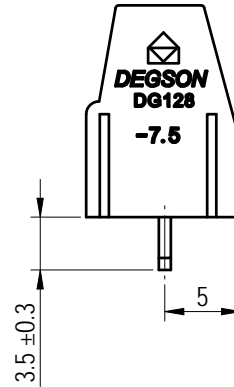
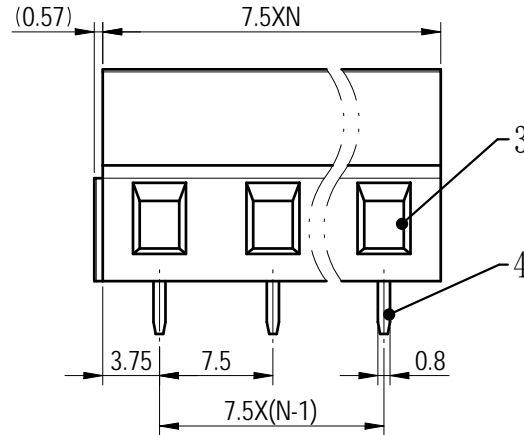
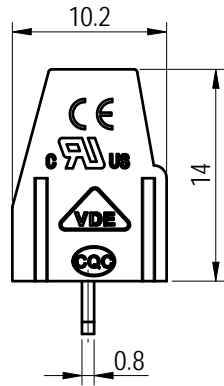
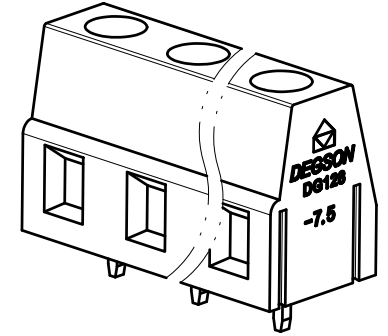
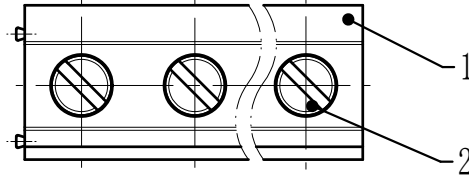


未注公差/General tolerances (mm)													0.1/10
0	>3	>6	>10	>18	>30	>50	>80	>120	>180	>250	>315	>400	
~3	~6	~10	~18	~30	~50	~80	~120	~180	~250	~315	~400	~500	>500
±0.12	±0.18	±0.22	±0.26	±0.31	±0.37	±0.57	±0.80	±0.93	±1.05	±1.15	±1.60	±2.20	±2.50

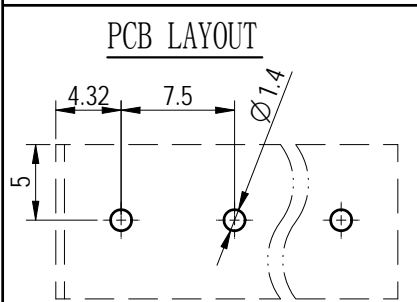
Transfer or duplication of this document as well as the utilization or communication of its contents are prohibited unless authorized in writing. All rights reserved for patent, utility model or design registrations. 除专利等明确标注外，其他标注均非强制性。本公司保留对涉及发明、实用新型及外观设计等知识产权的所有权利。



Note:
The A&Z(H) in the name means: A(H) and Z(H)

ITEM	NAME OF PART	MATERIAL	NOTES
4	pin header	Copper alloy	Sn Plated
3	Cage	Copper alloy	M2.5/Ni Plated
2	Screw	Steel	M2.5/Zn Plated
1	Housing	PA66	UL94V-0

UL 标准/UL Standard:	B	C	D
额定电压/电流/Rated Voltage(V)/Current(A)	300/20	/	300/10
IEC 标准/IEC Standard:			
过压类别/Overvoltage Category/污染等级/Pollution Degree	III/3	III/2	II/2
额定电压/电流/Rated Voltage(V)/Current(A)	/	450/18	/
工频耐压/Withstanding voltage(V/1Min)	AC2500		
螺丝扭矩/Torque Tightening(N·m/Lb.in)	M2.5, 0.4/3.54		
线径范围(硬线和软线)/Wire Range(rigid and flexible)(AWG/mm²)	30~12/ 1.0~2.5		
间距/Pitch(mm)/线数范围/Poles	7.5/N=02~16P		
剥线长度/Stripping length(mm)	6~7		
使用温度范围/Operating temperature(°C)	-40~+105		
符合RoHS环保要求/Conform to RoHS	Yes		



DEGSON	
APPD: 兰春华	2022.08.10
CHKD: 陈招	2022.08.10
DRFT: 龚徐涛	2022.08.10

MATERIAL:		SURFACE/COLOR:	
MAT NO./REV: / 00		MAT STATUS: 批量	
NAME			
DG128-7.5-XXP-1Y-00A&Z(H)			
DRAWING NO.	TYPE	DRAWING STATUS	SCALE
200031791	CUSTOMER DRAWING	已发布	2:1
SHEET		1/1	

00			龚徐涛	2022.08.10
REV	ECN	DESCRIPTION	DRFT	DATE

